

Microcassette™ -Corder

Operating Instructions
Mode d'emploi (au verso)

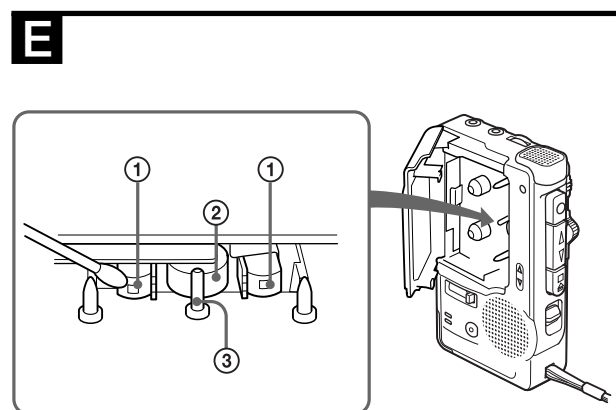
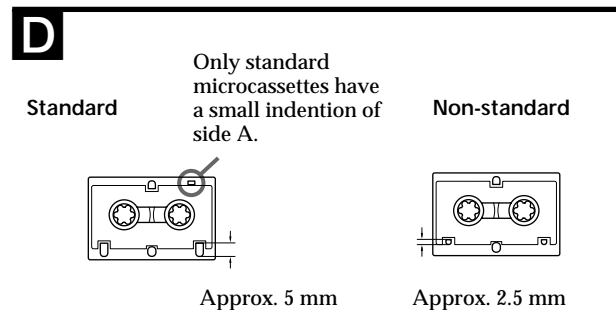
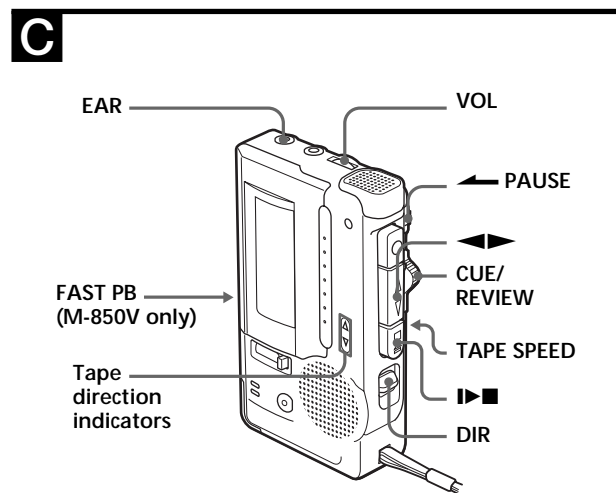
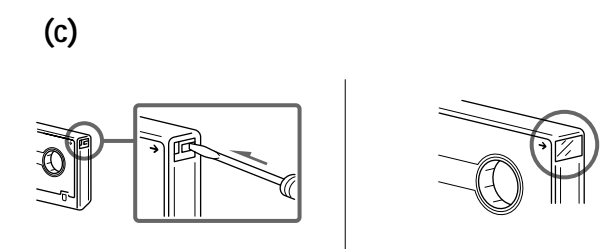
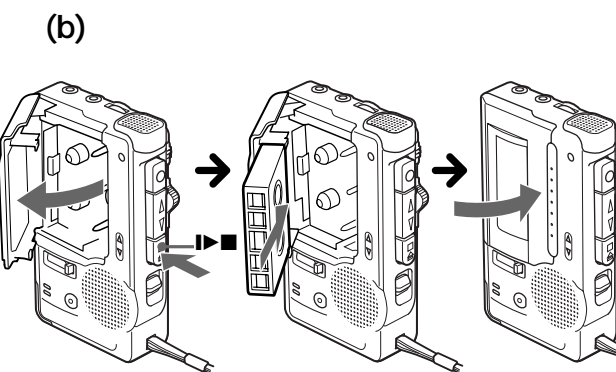
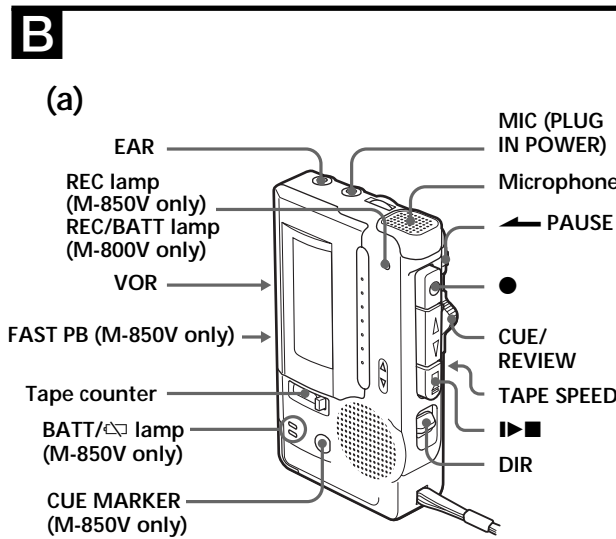
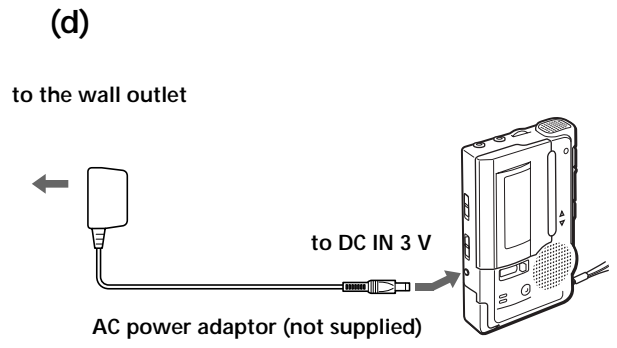
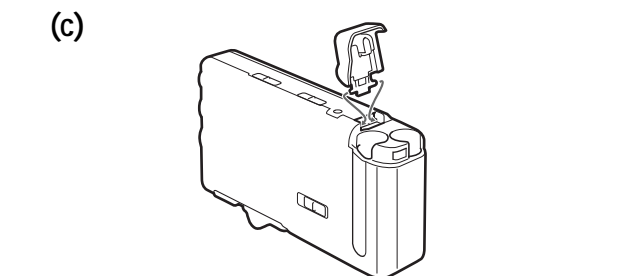
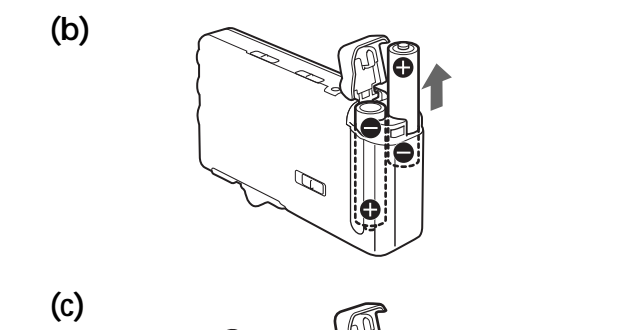
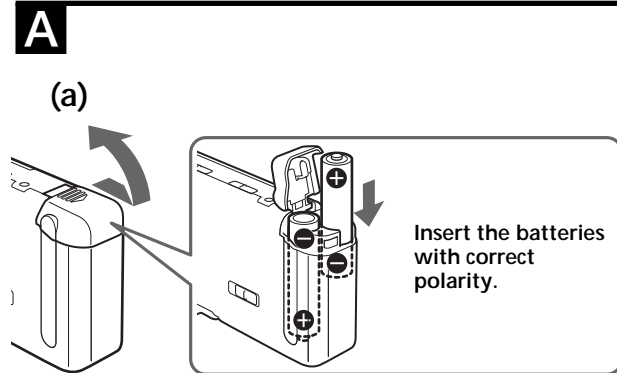
M-850V/800V

Sony Corporation ©2002 Printed in China

http://www.sony.net/

About This Manual

The instructions in this manual are for the M-850V and M-800V. Before you start reading, check your model number. The M-850V is the model used for illustration purposes. Any differences in operation are clearly indicated in the text, for example, "M-850V only".



English

Preparing Power Sources

Choose one of the following power sources.

Dry Batteries (see Fig. A-(a))

Make sure that nothing is connected to the DC IN 3V jack.

- Open the battery compartment lid.
- Insert two size AAA (R03) batteries with correct polarity and close the lid.

To take out the batteries (see Fig. A-(b))

If the battery compartment lid is accidentally detached (see Fig. A-(c))
Attach it as illustrated.

When to replace the batteries

For M-800V
Replace the batteries with new ones when the REC/BATT lamp dims.

For M-850V
Replace the batteries with new ones when the BATT lamp goes off and the ⊙ lamp flashes.

Notes

- The unit will play back normally for a while, even after the ⊙ lamp flashes. However, replace the batteries as soon as you can. If you do not, the playback cannot be made with normal sound, noise may be recorded and the recorded sound will not be loud enough (M-850V only).
- In the following cases you do not need to replace the batteries:
 - if the REC/BATT lamp, or BATT lamp flashes with the playback sound when you turn up the volume.
 - if the ⊙ lamp lights momentarily when the tape starts running or at the end of the tape (M-850V only).
 - if the ⊙ lamp flashes during FF (CUE) or REW (REVIEW) (M-850V only).

Battery life* (Approx. hours)

Batteries	Recording	
Sony manganese R03 (SB)	5 (M-850V)	6 (M-800V)
Sony alkaline LR03 (SG)**	14 (M-850V)	15 (M-800V)

* Measured valued by the standard of JEITA (Japan Electronics and Information Technology Industries Association) (Using a Sony Microcassette)

** When using a Sony LR03 (SG) "STAMINA" alkaline dry batteries (produced in Japan)

Note

The battery life may shorten depending on the operation of the unit.

House current (see Fig. A-(d))

Connect the AC power adaptor to DC IN 3V and to a wall outlet. Use the AC-E30HG AC power adaptor (not supplied). Do not use any other AC power adaptor.

Note

Specifications for AC-E30HG vary for each area. Check your local voltage and the shape of the plug before purchasing.

Recording (see Fig. B-(a))

Make sure that nothing is connected to MIC.

- Press the reset button of the tape counter.

Note

The number in the tape counter will increase when playing back the forward side, and decrease when playing back the reverse side.

- Press ▶■, insert a standard microcassette with the side to start recording facing the lid, and then close the lid. (see Fig. B-(b)).
- Select the desired tape speed.
2.4 cm for optimum sound (recommended for normal use): A 30-minute recording can be made using both sides of the MC-30 microcassette.
1.2 cm for longer recording time: A 60-minute recording can be made using both sides of the MC-30 microcassette.
- Choose recording sides.

To record on both sides
Slide DIR so that the FWD indicator turns green.
Recording will start from the side facing the cassette holder window (forward side) and switches automatically to the reverse side at the end of the side (Auto Reverse).



Note
Make sure the tabs on both sides are not removed. Even if only the tab on the reverse side is removed, recording cannot be made.

To record on a single side
Slide DIR so that the REV indicator turns green.
Recording will start from the side facing the unit (reverse side).



Note
Make sure the tab on the reverse side is not removed.

- Set VOR to H, L or OFF.
If you set VOR to H or L, the unit automatically starts recording the sound and pauses when there is no sound (you can save tapes and batteries).
H: To record at meeting or in a quiet and/or spacious place.
L: To record for dictation or in a noisy place.
When the sound is not loud enough, set it to OFF, or the unit may not start recording.
- Press ●.
▶■ is pressed simultaneously and recording starts. While the tape runs, the REC lamp (M-850V) or REC/BATT lamp (M-800V) lights and flashes depending on the strength of the sound.
Recording level is fixed.

At the end of the reverse side, recording stops and the unit turns off automatically.

To	Press or slide
Stop recording	▶■
Start recording during playback	● during playback (the unit becomes in the recording mode)
Review the portion just recorded	Push up CUE/REVIEW toward REVIEW during the recording. Release the button at the point to start playback.
Pause recording	Slide ◀PAUSE in the direction of the arrow.
Take out a cassette	▶■

Note

Select the 2.4 cm tape speed for recording. If you play back the recorded tape with another unit. Otherwise, the sound quality may be changed.

Notes on recording sides

- When recording on both sides, recording will not be made for a few seconds while the tape is switching sides.
- When you open the cassette holder, the direction of the tape is reset to the forward side.
- The DIR switch cannot be used during recording.

Notes on VOR (Voice Operated Recording)

- The VOR system depends on the environmental conditions. If you cannot get the desired results, set VOR to OFF.
- When you use the unit in a noisy place, it will stay in the recording mode. If the sound is too soft, on the contrary, the unit will not start recording. Set VOR to H (high) or L (low) depending on the conditions.

To monitor the sound

Connect an earphone to the EAR jack. The monitor volume cannot be adjusted by VOL.

To prevent a cassette from being accidentally recorded over (see Fig. B-(c))

Break out and remove the cassette tabs. To reuse the cassette for recording, cover the tab hole with adhesive tape.

Recording cue markers (M-850V only)

While recording, you can record a special signal on the tape to mark a specific position.
At the desired position, press CUE MARKER to record a signal. The REC lamp flashes and a signal will be recorded on the tape. If you want to record a signal longer than that, press CUE MARKER as long as you want.
During cue and review, you will hear the beep sound at the signal position. During playback with the headphones plugged in, you will hear the signal with low frequency sound at the signal position.

Notes

- We recommend recording cue markers when there is a break in the sound.
- The beep may sound differently depending on the marked position on the tape because the winding speed varies from the beginning to the end of the tape.
- There may be cases that recorded sound is distorted in a portion where the CUE MARKER signals are recorded.

Playing a Tape (see Fig. C)

- Insert a cassette with the side to start playing facing the lid.
- Select the tape speed to the same speed as that used for recording.
- Press ▶■.
- Turn VOL to adjust the volume.

At the end of the reverse side, playback stops and the unit turns off automatically.
If you play in headphones (not supplied) to the EAR jack, you will get monaural output from both left and right channels.

To	Press or slide
Stop playback/stop fast forward or rewind*	▶■
Pause playback	Slide ◀PAUSE in the direction of the arrow.
Fast forward*	Slide CUE/REVIEW toward CUE during stop.
Rewind*	Slide CUE/REVIEW toward REVIEW during stop.
Search forward during playback (CUE)	Keep CUE/REVIEW pushed down during playback and release it at the point you want.
Search backward during playback (REVIEW)	Keep CUE/REVIEW pushed up during playback and release it at the point you want.
Switch playback side	DIR

* If you leave the unit after the tape has been wound or rewound, the batteries will be consumed rapidly. Be sure to depress ▶■.

Note

If the tape is completely wound or rewound while searching forward/backward during playback (CUE/REVIEW), the CUE/REVIEW switch may not return to the center position when you release the switch. In this case, push back the switch to the center to start playback.

To increase the playback speed (M-850V only)

Slide the FAST PB switch in the direction of the arrow. The playback speed will be increased.
To return to the original speed, slide the FAST PB switch to the original position.

Recording/Playback with the Connected Equipment

Recording with an External Microphone

Connect a microphone to the MIC jack. Use a microphone of low impedance (less than 3 kΩ). When using a plug-in-power system microphone, the power to the microphone is supplied from this unit.

Note

When recording with an external microphone, the VOR system may not work properly because of the difference in sensitivity.

Recording from another tape recorder

Connect another tape recorder to the MIC jack using the RK-G64HG connecting cord (not supplied). Set this unit to the recording mode and another tape recorder to the playback mode. In this case set VOR to OFF.

Precautions

On power

- Operate the unit only on 3 V DC.
For AC operation, use the AC power adaptor recommended for the unit. Do not use any other type. For battery operation, use two size AAA (R03) batteries.

On the unit

- Use only the MICROCASSETTE™ (standard microcassettes) with this unit. Non-standard cassettes cannot be used because their "L" dimension (see illustration) is different (see Fig. D).
- Do not leave the unit in a location near heat sources, or in a place subject to direct sunlight, excessive dust or mechanical shock.
- Should any solid object or liquid fall into the unit, remove the batteries or disconnect the AC power adaptor, and have the unit checked by qualified personnel before operating it any further.
- Keep personal credit cards using magnetic coding or spring-wound watches etc. away from the unit to prevent possible damage from the magnet used for the speaker.
- When you do not use the unit for long, remove the batteries to avoid damage caused by battery leakage and subsequent corrosion.
- If the unit has not been used for long, set it in the playback mode and warm it up for a few minutes before inserting a cassette.

If you have any questions or problems concerning your unit, please consult your nearest Sony dealer.

Troubleshooting

Should any problem persist after you have made these checks, consult your nearest Sony dealer.

A cassette cannot be inserted.

- The cassette is being inserted in the wrong way.
- ▶■ has been already pressed.
- The unit does not operate.
 - The batteries have been inserted with incorrect polarity.
 - The batteries are weak. Replace both batteries with new ones.
 - ◀PAUSE is slid in the direction of the arrow.
 - The AC power adaptor is connected to the unit only and you are going to use the unit on batteries.

Recording cannot be made.

- There is no cassette in the cassette compartment.
- The tab on the tape has been removed. (Even if only the tab on the reverse side is removed, recording cannot be made.) To reuse the tape for recording, cover the tab hole with adhesive tape. To record on one side only, insert a cassette with the side to start recording facing away from the lid (reverse side).
- Make sure that the orientation of the cassette and the setting of DIR does not match in case of one-side recording. Insert a microcassette with the side to start recording facing the unit, and then slide DIR so that the REV indicator turns green.

Recording is interrupted.

- The VOR switch is set to H or L. When you do not use VOR, set it to OFF.

During CUE/REVIEW the tape stops or does not run. You cannot fast-forward or rewind.

- The batteries are weak. Replace both batteries with new ones.

Recording cannot be erased completely.

- The head is contaminated. See "Maintenance".

Playback cannot be made.

- The tape has reached the end of the reverse side. Press ▶■ to switch playback side to FWD.

No sound comes from the speaker.

- The earphone is plugged in.
- The volume is turned down completely.
- The sound drops out or comes with excessive noise.
 - The volume is turned down completely.
 - The batteries are weak. Replace both batteries with new ones.
 - The head is contaminated. See "Maintenance".
 - Direct placement of the cassette tape on the speaker resulted in magnetization and deteriorated tonal quality.
 - Use the unit away from radiowave-emitting devices such as cellular phones.

The pitch of the sound is unstable.

- The batteries are weak. Replace both batteries with new ones.
- The capstan and the pinch roller is contaminated. See "Maintenance".

Tape speed is too fast or too slow in the playback mode.

- Improper setting of the TAPE SPEED switch. Set it to the same speed as that used for recording.
- The batteries are weak. Replace both batteries with new ones.

Tape speed is faster than the normal playback speed.

- The FAST PB switch (M-850V only) is slid in the direction of the arrow.

Chattering noise is heard.

- The reset button of the tape counter is accidentally held and pressed. Press the button again to reset the counter to "000".

Rattling noise is heard after the end of the tape is reached in fast forwarding or rewinding operation.

- Press ▶■ to stop fast forwarding or rewinding.

Maintenance (see Fig. E)

To clean the tape head and path

Press ◀▶ and wipe the head ①, capstan ② and the pinch roller ③ with a cotton swab, moistened with alcohol every 10 hours of use.

To clean the exterior

Use a soft cloth slightly moistened in water. Do not use alcohol, benzine or thinner.

Specifications

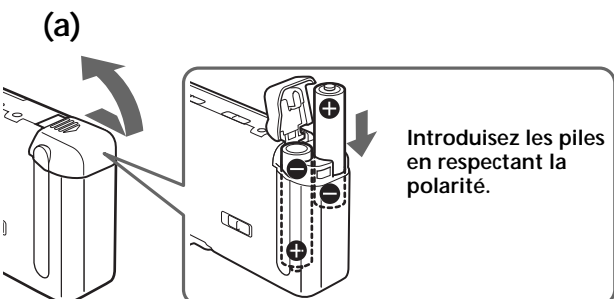
Tape MICROCASSETTE™ (normal position type)	
Recording system 2-track 1-channel monaural	
Speaker Approx. 2.8 cm (1 $\frac{1}{8}$ in.) dia.	
Tape speed 2.4 cm/s ($\frac{1}{8}$ ips), 1.2 cm/s ($\frac{1}{2}$ ips)	
Frequency range 300 - 4 000 Hz (with TAPE SPEED switch at 2.4 cm/s)	
Input Microphone input jack (mini-jack/PLUG IN POWER) sensitivity 0.21 mV for 3 k Ω or lower impedance microphone	
Output Earphone jack (mini-jack) for 8 - 300 Ω earphone	
Power output (at 10% harmonic distortion) 250 mW	
Power requirements 3 V DC batteries size AAA (R03) \times 2/External DC 3V power sources	
Dimensions (w/h/d) Approx. 58.5 \times 100 \times 22.5 mm incl. projecting parts and controls	
Mass Approx. 110 g (main unit only)	
Supplied accessories Microcassette tape MC-30 (1) (European model and world model of M-850V only) Batteries R03 (SB) (2) (European model and world model of M-850V only) Carrying pouch (1) (M-850V and European model of M-800V only)	

Design and specifications are subject to change without notice.

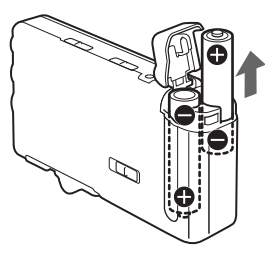
A propos de ce mode d'emploi

Les instructions contenues dans le présent mode d'emploi concernent les modèles M-850V et M-800V. Avant d'entamer la lecture du manuel, vérifiez la désignation de votre modèle. Le modèle M-850V est représenté dans les illustrations. Toute différence de fonctionnement est clairement indiquée dans le texte, par exemple : "M-850V uniquement".

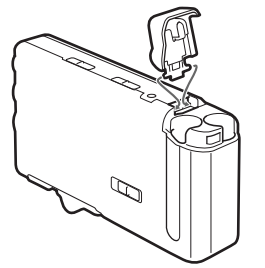
A



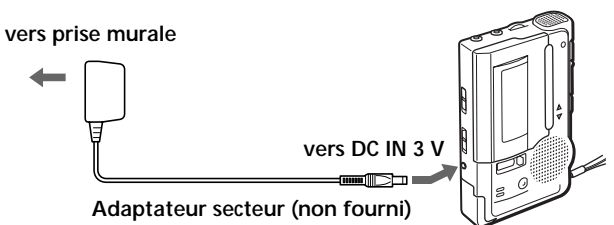
(b)



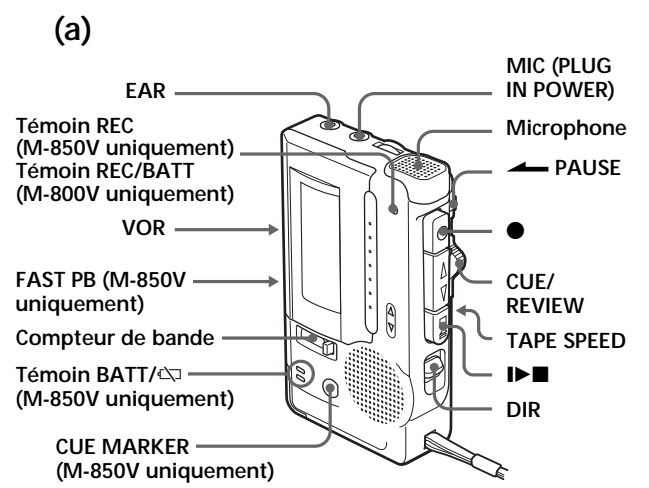
(c)



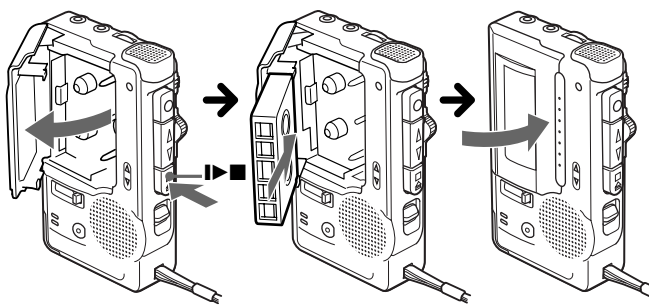
(d)



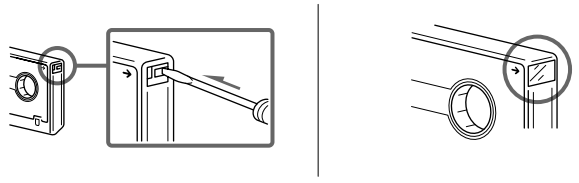
B



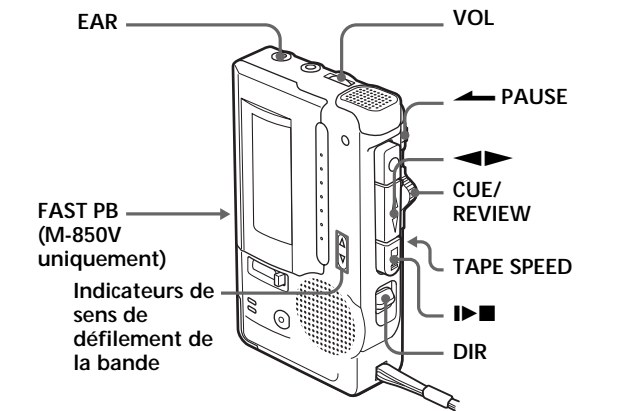
(b)



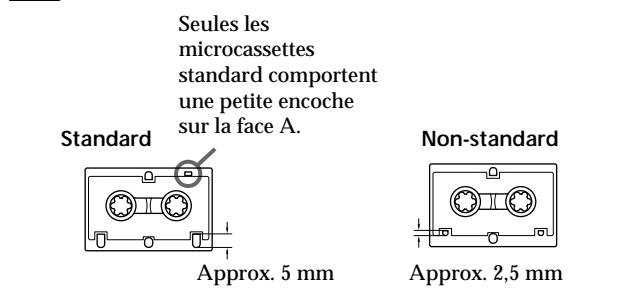
(c)



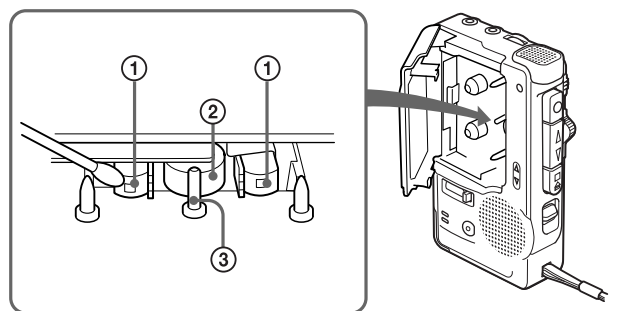
C



D



E



Sélection de la source d'alimentation

Choisissez l'une des sources d'alimentation présentées ci-dessous.

Piles sèches (voir Fig. A-(a))

Assurez-vous qu'aucun appareil n'est raccordé à la prise DC IN 3V.

- Ouvrez le couvercle du logement des piles.
- Introduisez deux piles type AAA (R03) en respectant la polarité et refermez le couvercle.

Pour retirer les piles (voir Fig. A-(b))

Si le couvercle du logement des piles est enlevé accidentellement (voir Fig. A-(c)) Positionnez-le comme illustré.

Quand faut-il remplacer les piles?

Pour le M-800V Remplacez les piles lorsque le témoin REC/BATT diminue d'intensité.

Pour le M-850V Remplacez les piles par des neuves lorsque le témoin BATT s'éteint et le témoin clignote.

Remarques

- L'appareil continue de jouer normalement pendant un certain temps, même après que le témoin clignote. Remplacez cependant les piles dès que vous pouvez. Si vous ne remplacez pas les piles, la lecture ne s'effectuera pas avec un son normal, il est possible que des parasites soient enregistrés et que le son enregistré ne soit pas suffisamment fort (M-850V uniquement).
- Les cas suivants ne nécessitent pas le remplacement des piles:
 - si le témoin REC/BATT ou BATT clignote avec le son reproduit lorsque vous augmentez le volume.
 - si le témoin s'allume brièvement lorsque la cassette se met en route ou en fin de bande (M-850V uniquement).
 - si le témoin clignote pendant l'avance rapide FF (CUE) ou le rembobinage REW (REVIEW) (M-850V uniquement).

Autonomie des piles* (heures approximatives)

Piles	Enregistrement	
Sony au manganèse R03 (SB)	5 (M-850V)	6 (M-800V)
Sony alcaline LR03 (SG)**	14 (M-850V)	15 (M-800V)

* Valeur mesurée conformément aux normes JEITA (Japan Electronics and Information Technology Industries Association) (avec une microcassette Sony)
** Si vous utilisez des piles sèches alcalines Sony type LR03 (SG) "STAMINA" (fabriquées au Japon)

Remarque

L'autonomie des piles peut être plus courte suivant les conditions d'utilisation de l'appareil.

Secteur (voir Fig. A-(d))

Raccordez l'adaptateur secteur à la prise DC IN 3V et à une prise murale. Utilisez l'adaptateur secteur AC-E30HG (non fourni). Ne pas utiliser d'autres adaptateurs secteur.

Remarque

Les spécifications de l'adaptateur secteur AC-E30HG varient d'une zone géographique à une autre. Vérifiez la tension secteur locale et la forme de la fiche avant l'achat.

Enregistrement (voir Fig. B-(a))

Assurez-vous qu'aucun appareil n'est raccordé à la prise MIC.

- Appuyez sur la touche de réinitialisation du compteur de bande.

Remarque

Le numéro affiché sur le compteur de bande augmente pendant la lecture de la face avant et diminue pendant la lecture de la face arrière.

- Appuyez sur la touche **▶**, introduisez une microcassette standard avec la face d'enregistrement côté couvercle, puis refermez le couvercle. (voir Fig. B-(b)).
- Sélectionnez la vitesse de défilement de la bande. 2,4 cm pour un son optimal (recommandé en utilisation normale) : un enregistrement de 30 minutes peut être réalisé en utilisant les deux faces de la microcassette MC-30. 1,2 cm pour une plus longue durée d'enregistrement : un enregistrement de 60 minutes peut être réalisé en utilisant les deux faces de la microcassette MC-30.
- Choisissez les faces d'enregistrement.

Pour enregistrer sur les deux faces

Faites coulisser DIR de façon à ce que l'indicateur FWD devienne vert. L'enregistrement commence par la face orientée vers la fenêtre du porte-cassette (face avant) et passe automatiquement sur la face arrière à la fin de la face avant (inversion automatique).

Remarque

Assurez-vous que les languettes des deux faces n'ont pas été brisées. Même si seule la languette de la face arrière a été brisée, l'enregistrement ne peut être réalisé.

Pour enregistrer sur une seule face

Faites coulisser DIR de façon à ce que l'indicateur REV devienne vert. L'enregistrement commence par la face orientée vers l'appareil proprement dit (face arrière).

Remarque

Assurez-vous que l'onglet de la face arrière n'a pas été brisé.

- Placez VOR sur H, L ou OFF. Si vous placez VOR sur H ou L, l'appareil démarre automatiquement l'enregistrement et se met en mode de pause lorsqu'il n'y a pas de son (ce qui vous permet d'économiser les bandes et les piles). H : pour enregistrer des conférences, ou dans un local tranquille et/ou spacieux. L : pour enregistrer une dictée ou dans un local bruyant. Si le son n'est pas suffisamment fort, placez VOR sur OFF, sinon l'appareil risque de ne pas démarrer l'enregistrement.
- Appuyez sur **●**. **◀▶** s'enfoncent simultanément et l'enregistrement démarre. Lorsque la bande défile, le témoin REC (M-850V) ou REC/BATT (M-800V) s'allume et clignote en fonction de l'intensité de la source sonore. Le niveau d'enregistrement est fixe.

A la fin de la face arrière, l'enregistrement s'arrête et l'appareil se met automatiquement hors tension.

Pour	Pressez ou faites glisser
Arrêter l'enregistrement	La touche ▶
Démarrer l'enregistrement en mode de lecture	La touche ● durant la lecture (l'appareil passe en mode d'enregistrement)
Ecouter la dernière séquence enregistrée	Relevez la touche CUE/REVIEW vers la position REVIEW durant l'enregistrement. Relâchez la touche à l'endroit où vous souhaitez commencer la lecture.
Activer une pause d'enregistrement	Faites glisser la touche ◀ PAUSE dans le sens de la flèche.
Retirer une cassette	La touche ▶

Remarque

Sélectionnez la vitesse de défilement de 2,4 cm pour l'enregistrement si la cassette doit être lue sur un autre appareil. Sinon, la qualité sonore pourrait s'en trouver altérée.

Remarque sur les faces d'enregistrement

- Lorsque vous enregistrez sur les deux faces, l'enregistrement est interrompu quelques secondes pendant le changement de face de la cassette.
- Le sens de défilement de la bande revient à la face avant lorsque vous ouvrez le porte-cassette.
- Le sélecteur DIR est inopérant en cours d'enregistrement.

Remarques sur le système VOR d'enregistrement commandé par fréquence vocale

Le système VOR dépend des conditions ambiantes. Si vous ne parvenez pas à obtenir le résultat désiré, réglez VOR sur OFF.
Lorsque vous utilisez l'appareil dans un endroit bruyant, il reste continuellement en mode d'enregistrement. En revanche, si les sons sont trop faibles, l'enregistrement ne démarre pas. Réglez VOR sur H (High) ou L (Low) selon les conditions ambiantes.

Contrôle de la qualité sonore

Branchez un écouteur sur la prise EAR. Le volume du moniteur ne peut pas être ajusté au moyen de VOL.

Pour éviter d'enregistrer accidentellement sur une cassette enregistrée (voir Fig. B-(c))

Brisez les languettes de protection de la cassette. Si vous souhaitez réutiliser la cassette pour enregistrer, recouvrez d'un ruban adhésif le trou de la languette de protection.

Enregistrement d'index de repérage (M-850V uniquement)

En cours d'enregistrement, vous pouvez insérer sur la bande magnétique un signal spécial pour marquer une position spécifique.

A l'endroit voulu, appuyez sur CUE MARKER pour enregistrer un signal. Le témoin REC clignote et un signal est enregistré sur la bande magnétique. Pour enregistrer un signal plus long, maintenez la touche CUE MARKER enfoncée aussi longtemps que vous le voulez.

En cours de recherche et de contrôle d'enregistrement, vous entendez un bip sonore à l'endroit du signal. En cours de lecture avec le casque d'écoute branché, vous entendez un signal de basse fréquence à l'endroit du signal.

Remarques

- Nous recommandons d'enregistrer des index de repérage lorsqu'il y a une coupure du son.
- Le bip sonore peut varier en fonction de la position marquée sur la bande magnétique parce que la vitesse de défilement de la bande varie entre le début et la fin de la cassette.
- Dans certains cas, le son peut être déformé aux endroits où les signaux CUE MARKER sont enregistrés.

Lecture d'une cassette (voir Fig. C)

- Introduisez une cassette avec la face de lecture côté couvercle.
- Sélectionnez la vitesse de défilement de la bande à la même vitesse utilisée pour l'enregistrement.
- Appuyez sur la touche **▶**.
- Tournez la commande VOL pour régler le volume.

A la fin de la face arrière, la lecture s'arrête et l'appareil se met automatiquement hors tension. Si vous branchez le casque d'écoute (non fourni) sur la prise EAR, vous obtenez une sortie monaurale par les canaux gauche et droit.

Pour	Pressez ou faites glisser
Arrêter la lecture, l'avance rapide ou le rembobinage*	La touche ▶
Activer une pause de lecture	Faites glisser la touche ◀ PAUSE dans le sens de la flèche.
Activer l'avance rapide*	La touche CUE/REVIEW en position CUE en mode d'arrêt.
Rembobiner*	La touche CUE/REVIEW en position REVIEW en mode d'arrêt.
Effectuer une recherche avant en mode de lecture (CUE)	Maintenez la touche CUE/REVIEW enfoncée et relâchez-la à l'endroit voulu.
Effectuer une recherche arrière en mode de lecture (REVIEW)	Maintenez la touche CUE/REVIEW en position relevée durant la lecture et relâchez-la à l'endroit voulu.
Commuter la face de lecture	DIR

* Si vous laissez l'appareil allumé après que la bande ait défilé ou ait été rembobinée, les piles s'épuiseront rapidement. Veillez à appuyer sur la touche **▶**.

Remarque

Si la cassette arrive en fin de bande en cours de recherche de lecture avant ou arrière (CUE/REVIEW), il se peut que le commutateur CUE/REVIEW ne revienne pas en position centrale lorsque vous le relâchez. Dans ce cas, ramenez le commutateur sur la position centrale pour démarrer la lecture.

Pour augmenter la vitesse de lecture (M-850V uniquement)

Faites glisser le commutateur FAST PB dans le sens de la flèche. La vitesse de lecture augmente. Pour revenir à la vitesse de lecture initiale, ramenez le commutateur FAST PB dans sa position initiale.

Enregistrement/lecture avec un appareil raccordé

Enregistrer à l'aide d'un microphone externe

Branchez un microphone sur la prise MIC. Utilisez un microphone de faible impédance (moins de 3 kΩ). Si vous utilisez un microphone à système d'alimentation enfichable, l'alimentation du microphone est assurée par cet appareil.

Remarque

Lorsque vous enregistrez à l'aide d'un microphone externe, il est possible que le système VOR ne fonctionne pas correctement en raison de la différence de sensibilité.

Enregistrer à partir d'un autre magnétophone

Raccordez un autre enregistreur à cassettes sur la prise MIC à l'aide d'un câble de connexion RK-G64HG (non fourni). Réglez votre magnétophone en mode d'enregistrement et l'autre magnétophone en mode de lecture. Dans ce cas, réglez VOR en position OFF.

Précautions

Alimentation

- Faites uniquement fonctionner l'appareil sur courant continu de 3 V. Pour un fonctionnement sur secteur, utilisez l'adaptateur secteur suggéré pour l'appareil. Pour un fonctionnement sur piles, utilisez deux piles type AAA (R03).

Appareil

- Utilisez uniquement les **MICROCASSETTE™** (microcassettes standard) sur cet appareil. Les cassettes non standard ne peuvent être utilisées sur cet appareil en raison de la différence de la dimension "L." (voir Fig. D).
- Ne laissez pas l'appareil à proximité de sources de chaleur ni dans des endroits soumis à la lumière directe du soleil ou excessivement poussiéreux et ne lui faites pas subir de chocs mécaniques.
- Si des corps étrangers ou des liquides pénètrent à l'intérieur de l'appareil, retirez les piles ou débranchez l'adaptateur secteur et faites vérifier l'appareil par un technicien qualifié avant de le faire fonctionner à nouveau.

• Gardez les cartes de crédit à code magnétique, les montres à mécanisme à ressort, etc., à l'écart de l'appareil de manière à éviter d'éventuels dommages causés par l'aimant du haut-parleur.

• Si vous n'utilisez pas l'appareil pendant une période prolongée, retirez les piles afin d'éviter des dommages causés par une fuite éventuelle des piles et la corrosion qui en résulte.

• Si l'appareil n'a pas été utilisé pendant une période prolongée, placez-le en mode lecture et laissez-le se réchauffer pendant quelques minutes avant d'introduire une cassette.

Si vous avez des questions ou des difficultés au sujet de cet appareil, consultez votre revendeur Sony.

Dépannage

Si les problèmes persistent après ces contrôles, consultez votre distributeur Sony.

Impossible d'introduire une cassette.

- La cassette est présentée dans le mauvais sens.
- La touche **◀▶** a déjà été enfoncée.

L'appareil ne fonctionne pas.

- La polarité des piles n'a pas été respectée.
- Les piles sont plates. Remplacez les deux piles.
- La touche **◀**PAUSE est placée dans le sens de la flèche.
- L'adaptateur secteur est raccordé à l'appareil et vous avez l'intention de faire fonctionner l'appareil sur les piles.

Impossible d'enregistrer.

- Il n'y a pas de cassette dans le support de cassette.
- La languette de la cassette a été brisée. (Même si seule la languette de la face arrière a été brisée, l'enregistrement ne peut être réalisé.) Pour réenregistrer sur la cassette, recouvrez l'orifice de la languette de bande adhésive. Pour enregistrer sur une seule face, introduisez une cassette avec la face à enregistrer du côté opposé au couvercle (face arrière).
- Vérifiez que le sens de la cassette et le réglage de DIR ne correspondent pas si la cassette n'est enregistrée que sur une face. Introduisez une microcassette avec la face d'enregistrement côté appareil, puis faites glisser le sélecteur DIR de sorte que le témoin REV s'affiche en vert.

L'enregistrement est interrompu.

- Le commutateur VOR est en position H ou L. Lorsque vous n'utilisez pas la fonction VOR, placez la touche en position OFF.

En cours de CUE/REVIEW, la bande magnétique s'arrête ou ne défile pas.

Impossible de rembobiner ou d'avancer rapidement.

Les piles sont plates. Remplacez les deux piles.

Impossible d'effacer l'enregistrement complètement.

La tête est sale. Voir "Entretien".

Impossible de démarrer la lecture.

La cassette est arrivée en fin de bande sur la face arrière. Appuyez sur **◀▶** pour commuter la face de lecture sur FWD.

Le haut-parleur ne diffuse aucun son.

- Les écouteurs sont branchés.
- Le volume est réglé au minimum.

Le son basse ou est accompagné de parasites excessifs.

- Le volume est réglé au minimum.
- Les piles sont plates. Remplacez les deux piles.
- La tête est sale. Voir "Entretien".
- Un contact de la bande de la cassette avec le haut-parleur a provoqué une magnétisation et a détérioré la qualité de la tonalité.

Utilisez l'appareil à l'écart de dispositifs émettant des ondes radio tels que des téléphones cellulaires.

La hauteur du son est instable.

- Les piles sont faibles. Remplacez les deux piles par des neuves.
- Le cabestan et le galet presseur sont souillés. Voir la section "Entretien".

La vitesse de défilement de la bande est excessive ou insuffisante en mode de lecture.

Le commutateur TAPE SPEED n'est pas correctement réglé. Réglez-le à la même vitesse que pour l'enregistrement.

Les piles sont plates. Remplacez les deux piles.

La vitesse de défilement de la bande est plus rapide que la vitesse de lecture normale.

Le commutateur FAST PB (M-850V uniquement) est réglé dans le sens de la flèche.

Un cliquetis est audible.

La touche de réinitialisation du compteur de bande est enfoncée par mégarde. Appuyez de nouveau sur la touche pour remettre le compteur à "000".

Un claquement est audible en fin de bande en cas d'avance rapide ou de retour rapide.

- Appuyez sur la touche **▶** pour arrêter l'avance rapide ou le retour rapide.

Entretien (voir Fig. E)

Nettoyage de la tête et des guides de la bande

Appuyez sur la touche **▶** et nettoyez la tête ①, le cabestan ② et le galet presseur ③ toutes les 10 heures de fonctionnement à l'aide d'un coton-tige imbibé d'alcool.

Nettoyage des parties extérieures Utilisez un linge légèrement imprégné d'eau. N'utilisez pas d'alcool, d'essence ou de diluant.

Spécifications

Cassette
MICROCASSETTE™ (type position normale)
Système d'enregistrement
2 pistes 1 bande monaurale
Haut-parleur
Env. 2,8 cm (1 1/8 po) diam.
Vitesse de défilement de la bande
2,4 cm/s, 1,2 cm/s
Plage de fréquence
300 - 4 000 Hz (avec le commutateur TAPE SPEED réglé sur 2,4 cm/s)
Entrée
Prise microphone (miniprise / PLUG IN POWER)
sensibilité 0,21 mV pour 3 kΩ ou microphone à faible impédance
Sortie
Prise écouteurs (miniprise) pour écouteurs 8 - 300 Ω
Puissance de sortie (à 10 % de distorsion harmonique)
250 mW
Puissance de raccordement
Piles 3 V CC type AAA (R03) × 2/Sources d'alimentation 3 V CC externes
Dimensions (l x h x p)
Approx. 58,5 × 100 × 22,5 mm, parties saillantes et commandes comprises
Poids
Environ 110 g (appareil principal uniquement)
Accessoires fournis
Microcassette MC-30 (1) (Modèle européen et modèle international du M-850V uniquement)
Piles type R03 (SB) (2) (Modèle européen et modèle international du M-850V uniquement)
Etui de transport (1) (M-850V et modèle européen du M-800V uniquement)

La conception et les spécifications sont sujettes à modifications sans préavis.