

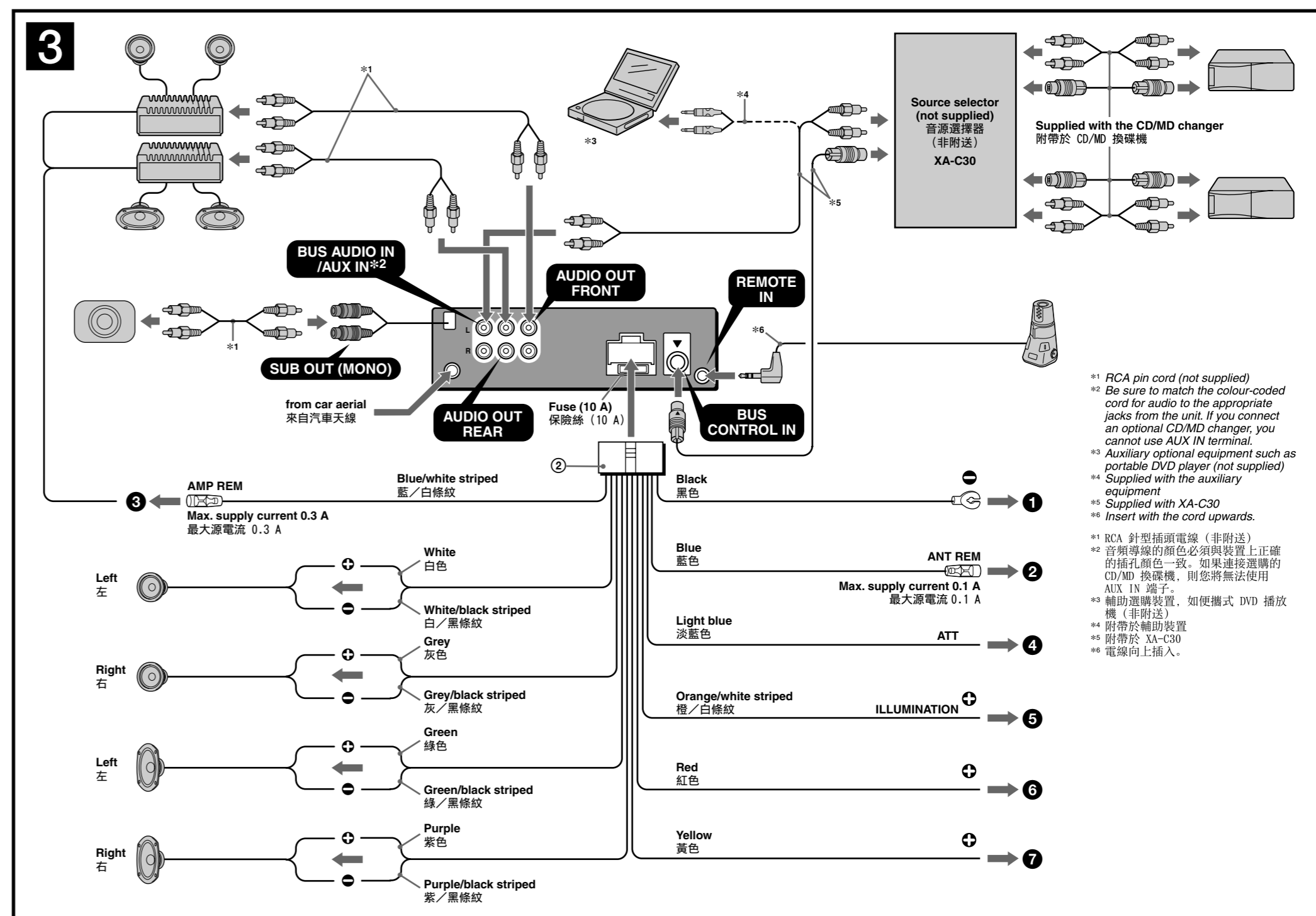
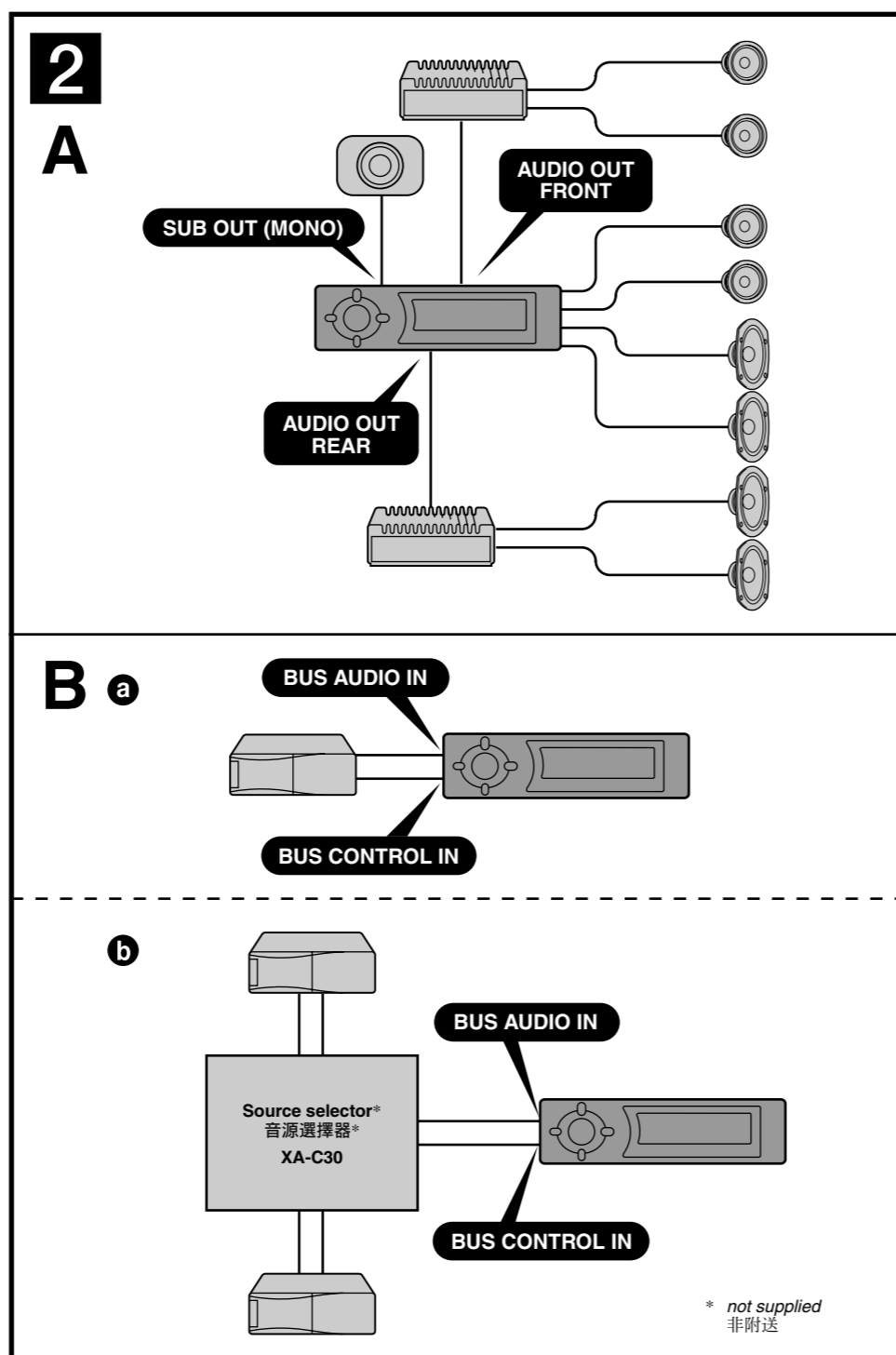
FM/MW/LW Compact Disc Player

Installation/Connections

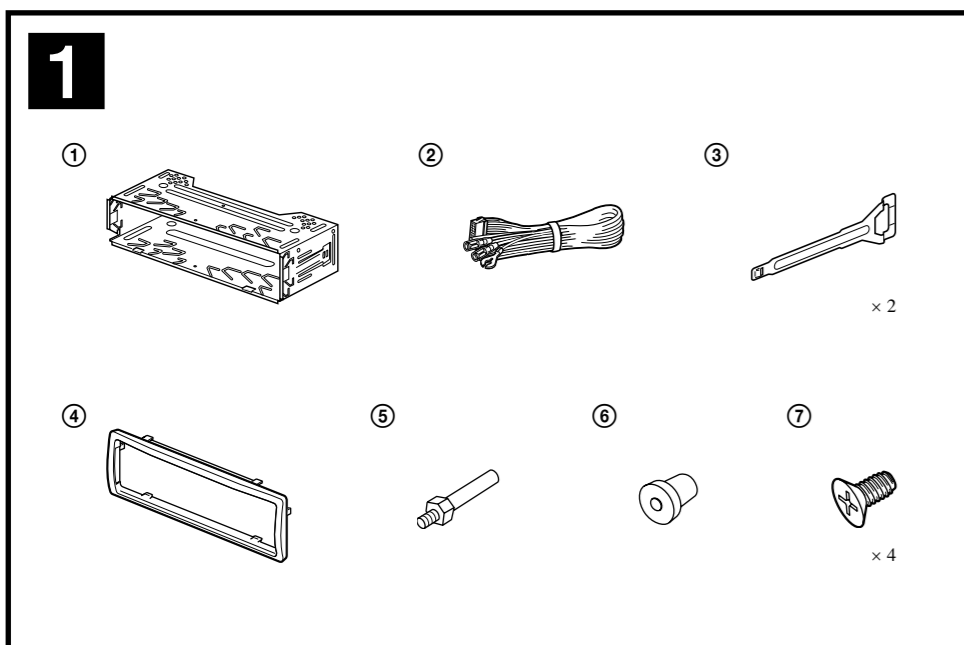
安裝/線路連接

CDX-F7710S
CDX-F7710

© 2005 Sony Corporation Printed in Korea



*1 RCA pin cord (not supplied)
*2 Be sure to match the colour-coded cord for audio to the appropriate jacks from the unit. If you connect an optional CD/MD changer, you cannot use AUX IN terminal.
*3 Auxiliary optional equipment such as portable DVD player (not supplied)
*4 Supplied with the auxiliary equipment
*5 Supplied with XA-C30
*6 Insert with the cord upwards.
*7 RCA 針型插頭電線 (非附送)
*8 音頻導線顏色必須與裝置上正確的插孔顏色一致。如果連接選購的 CD/MD 換碟機，則您將無法使用 AUX IN 端子。
*9 輔助選購裝置，如便攜式 DVD 播放機 (非附送)
*10 附帶於輔助裝置
*11 附帶於 XA-C30
*12 電線向上插入。



Cautions

- This unit is designed for negative earth 12 V DC operation only.
- Do not get the leads under a screw, or caught in moving parts (e.g. seat railing).
- Before making connections, turn the car ignition off to avoid short circuits.
- Connect the **yellow** and **red** power input leads only after all other leads have been connected.
- Run all earth leads to a common earth point.**
- Be sure to insulate any loose unconnected leads with electrical tape for safety.

Notes on the power supply lead (yellow)

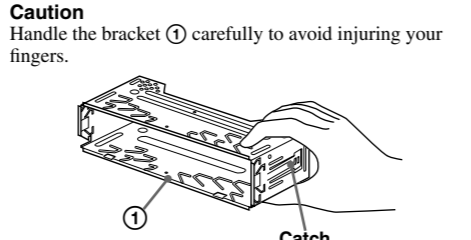
When connecting this unit in combination with other stereo components, the connected car circuit's rating must be higher than the sum of each component's fuse.

- When no car circuits are rated high enough, connect the unit directly to the battery.

Parts list (1)

The numbers in the list are keyed to those in the instructions.

- The bracket (1) and the protection collar (2) are attached to the unit before shipping. Before mounting the unit, use the release keys (3) to remove the bracket (1) and the protection collar (2) from the unit. For details, see "Removing the protection collar and the bracket (4)" on the reverse side of the sheet.
- Keep the release keys (3) for future use as they are also necessary if you remove the unit from your car.



Note
Before installing, make sure that the catches on both sides of the bracket (1) are bent inwards 2 mm. If the catches are straight or bent outwards, the unit will not be installed securely and may spring out.

Connection example (2)

Notes (2-A)

- Be sure to connect the earth lead before connecting the amplifier.
- The alarm will only sound if the built-in amplifier is used.

Tip (2-B-0)
For connecting two or more CD/MD changers, the source selector XA-C30 (optional) is necessary.

Connection diagram (3)

- To a metal surface of the car**
First connect the black earth lead, then connect the orange/white striped, yellow, and red power input leads.
- To the power aerial control lead or power supply lead of aerial booster amplifier**
Notes
• It is not necessary to connect this lead if there is no power aerial or aerial booster, or with a manually-operated telescopic aerial.
• When your car has a built-in FM/MW/LW aerial in the rear/side glass, see "Notes on the control and power supply leads."
- To AMP REMOTE IN of an optional power amplifier**
This connection is only for amplifiers. Connecting any other system may damage the unit.
- To the interface cable of a car telephone**
- To a car's illumination signal**
Be sure to connect the black earth lead to a metal surface of the car first.
- To the +12 V power terminal which is energized in the accessory position of the ignition key switch**
Notes
• If there is no accessory position, connect to the +12 V power (battery) terminal which is energized at all times. Be sure to connect the black earth lead to a metal surface of the car first.
• When your car has a built-in FM/MW/LW aerial in the rear/side glass, see "Notes on the control and power supply leads."
- To the +12 V power terminal which is energized at all times**
Be sure to connect the black earth lead to a metal surface of the car first.

Notes on the control and power supply leads

- The power aerial control lead (blue) supplies +12 V DC when you turn on the tuner.
- When your car has built-in FM/MW/LW aerial in the rear/side glass, connect the power aerial control lead (blue) or the accessory power input lead (red) to the power terminal of the existing aerial booster. For details, consult your dealer.
- A power aerial without a relay box cannot be used with this unit.

Memory hold connection
When the yellow power input lead is connected, power will always be supplied to the memory circuit even when the ignition switch is turned off.

Notes on speaker connection

- Before connecting the speakers, turn the unit off.
- Use speakers with an impedance of 4 to 8 ohms, and with adequate power handling capacities to avoid its damage.
- Do not connect the speaker terminals to the car chassis, or connect the terminals of the right speakers with those of the left speaker.
- Do not connect the earth lead of this unit to the negative (-) terminal of the speaker.
- Do not attempt to connect the speakers in parallel.
- Connect only passive speakers. Connecting active speakers (with built-in amplifiers) to the speaker terminals may damage the unit.
- To avoid a malfunction, do not use the built-in speaker leads installed in your car if the unit shares a common negative (-) lead for the right and left speakers.
- Do not connect the unit's speaker leads to each other.

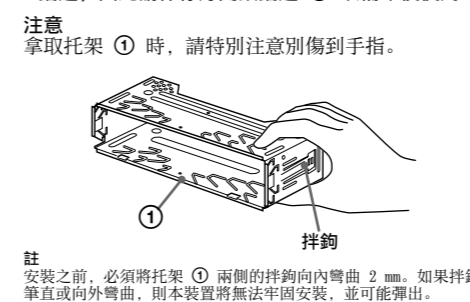
Note on connection
If speaker and amplifier are not connected correctly, "FAILURE" appears in the display. In this case, make sure the speaker and amplifier are connected correctly.

注意

- 本機只能使用負極接地 12 V 直流電源。
- 不要使導線夾在鬆柱下，或繞掛在移動部件上 (如：座椅扶手上)。
- 連接線路之前，請關閉汽車點火裝置以免引起短路。
- 黃色和紅色電源輸入導線必須在所有其它導線都連接完畢以後才連接。
- 將所有地線都連接到同一接地點。
- 為了安全，請確認把沒有連接的導線用電器膠帶包裝進行絕緣。

電源導線須知 (黃色)

- 將本機與其他立體聲裝置組合使用時，所連接的汽車電路容量必須大於每個裝置保險絲容量的總和。
- 當汽車電路容量不夠大時，請將本機直接與電池相連接。



線路連接圖例 (2)

註 (2-A)

- 務必在接放大器之前連接地線。
- 如果使用內建放大器，報警器才發出報警聲。

提示 (2-B-0)
若要連接 2 台或更多 CD/MD 換碟機時，必須使用音源選擇器 XA-C30 (選購件)。

線路連接圖 (3)

- 連接至汽車的金屬表面**
首先連接黃色接地導線，然後再連接橙/白條紋、黃色和紅色電源輸入導線。
- 連接至電動天線控制導線或天線升壓放大器的電源導線**
註
• 如無電動天線或天線升壓器，或有手動套管式天線，便不需連接此導線。
• 您汽車的後/側玻璃窗中如果有內建 FM/MW/LW 天線，即請參看「控制線和電源線須知」。
- 連接至選購的功率放大器的 AMP REMOTE IN (放大器遙控輸入)**
本連接僅用於放大器。連接任何其它系統可能會損壞本機。
- 連接至汽車電話的介面電纜**
- 至汽車照明訊號**
必須首先將黃色接地導線連接到汽車的金屬表面。
- 連接至在點火鑰匙開關的附件位置上通電的 +12 V 電源端子**
註
• 若沒有附件位置，則請連接至始終通電的 +12 V 電源 (電池) 端子。
• 必須首先將黃色接地導線連接到汽車的金屬表面。
• 您汽車的後/側玻璃窗中如果有內建 FM/MW/LW 天線，即請參看「控制線和電源線須知」。
- 連接至始終通電的 +12 V 電源端子**
必須首先將黑色接地導線連接到汽車的金屬表面。

控制線和電源線須知

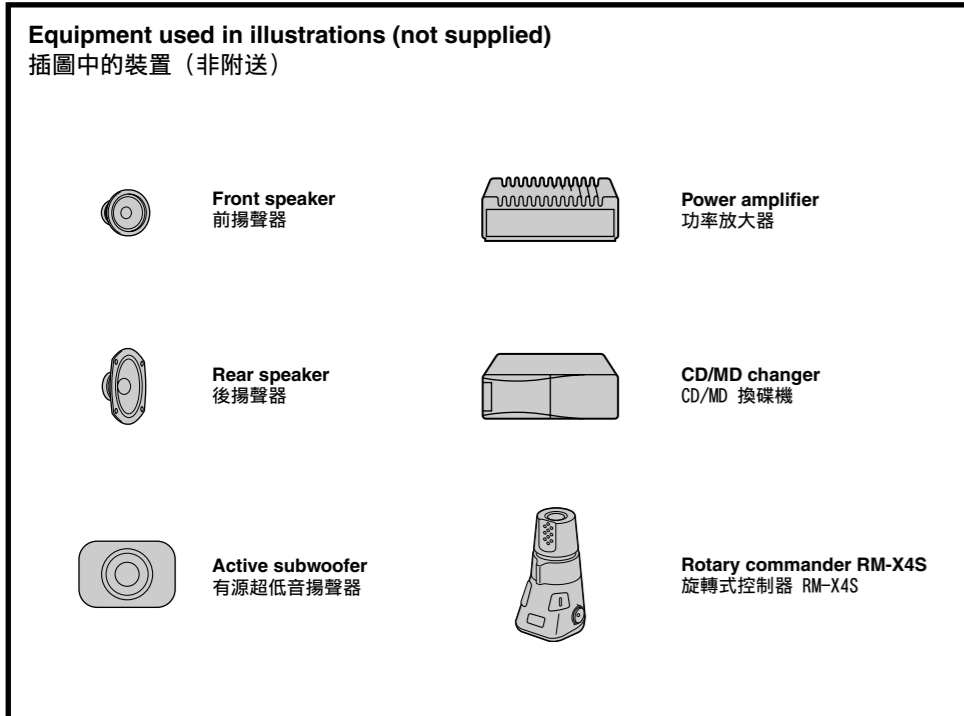
- 接連調諧器電源時，電動天線的控制導線 (藍色) 便能提供 +12 V 直流電。
- 若您的汽車後/側玻璃窗上有內建 FM/MW/LW 天線，須將電動天線控制導線 (藍色) 或輔助電源輸入導線 (紅色) 連接到現有天線升壓器上的電源端子上。詳細內容請向銷售商諮詢。
- 本機不能使用不具備繼電器蓋蓋的電動天線。

保持記憶的線路連接法
當連接好黃色電源輸入導線時，即使汽車發動機點火開關關閉，電器仍將對記憶電路供電。

連接揚聲器時的注意事項

- 連接揚聲器線以前，請先關閉本機電源。
- 使用阻抗為 4-8Ω 且具有足夠功率處理容量的揚聲器，以免損壞揚聲器。
- 不要將揚聲器端子連接到車身上，或將右揚聲器端子與左揚聲器端子相連接。
- 切勿將本機的接地導線連接到揚聲器的負 (-) 接線端。
- 揚聲器不可並聯連接。
- 請僅連接無源揚聲器。若將主動式揚聲器 (帶內建放大器) 連接到揚聲器端子上會損壞本機。
- 若本裝置使用左、右揚聲器的共用負極 (-) 導線，為了避免故障，切勿使用已安裝在汽車內的內建揚聲器導線。
- 請勿將本裝置揚聲器導線相互連接。

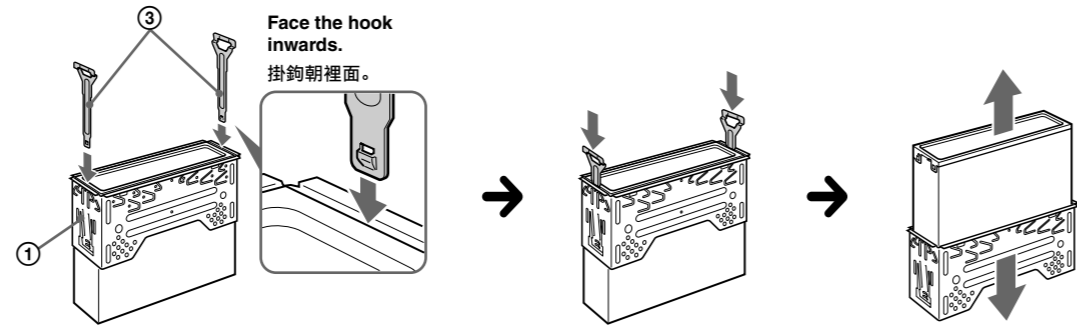
有關連接注意事項
如果未正確連接揚聲器和放大器，則顯示幕上會出現 "FAILURE"。此時，請正確連接揚聲器和放大器。



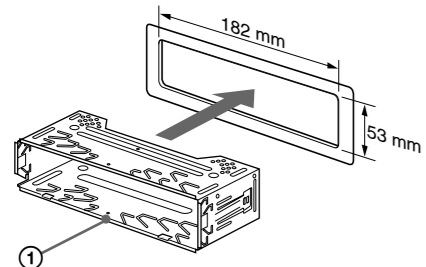
4 1



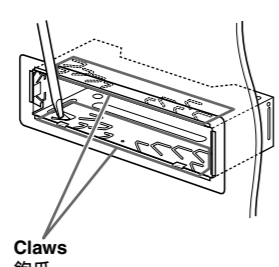
2



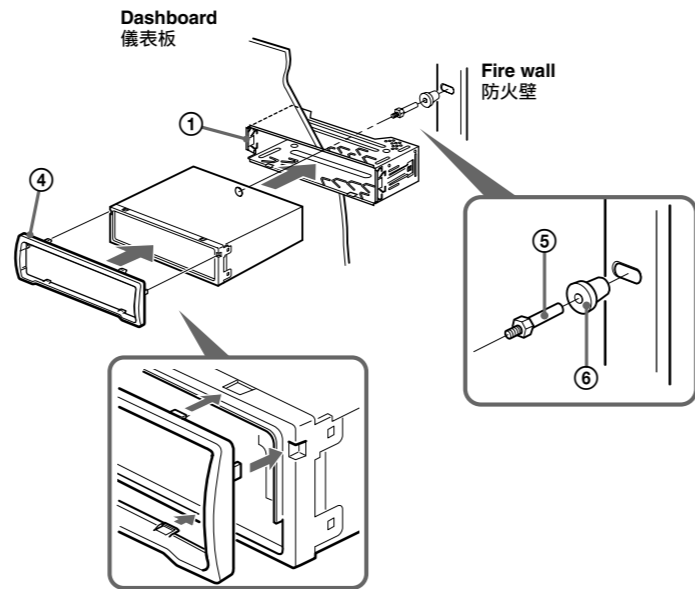
5 1



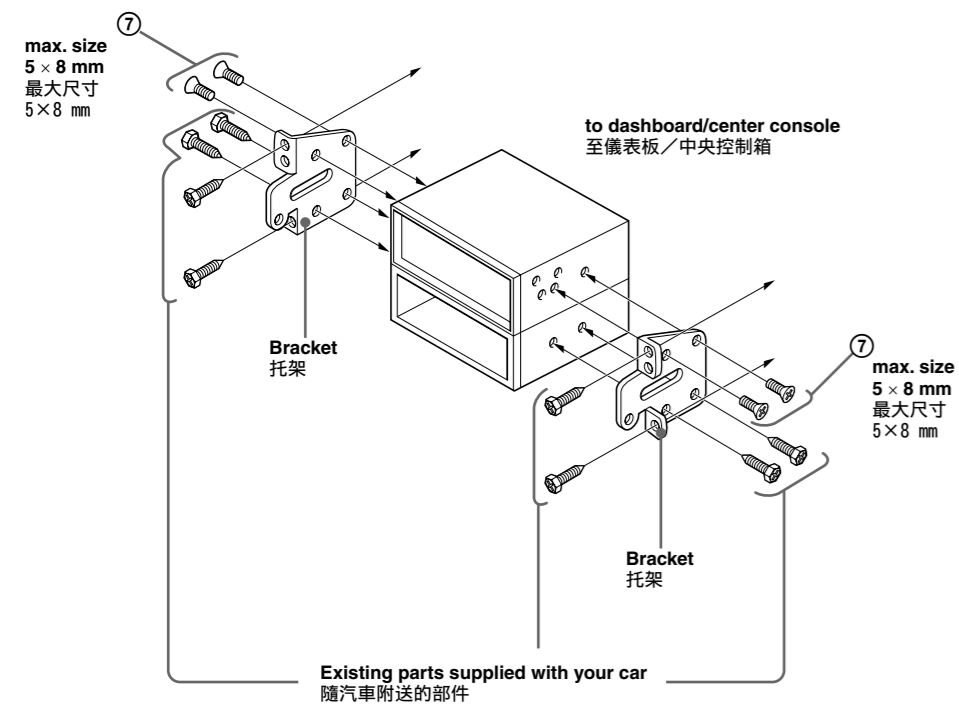
2



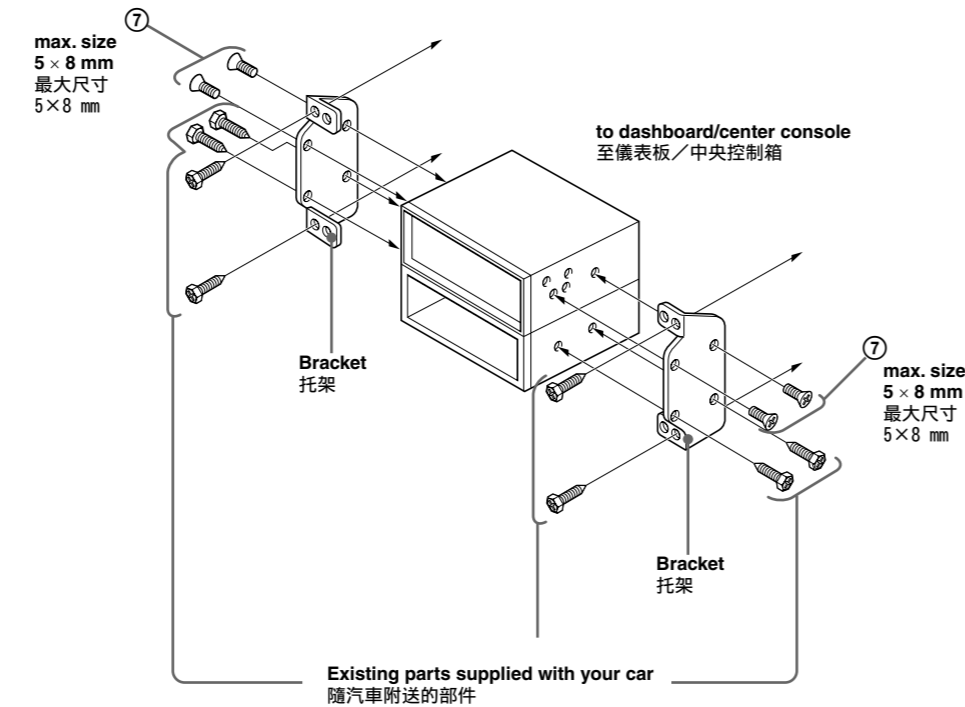
3



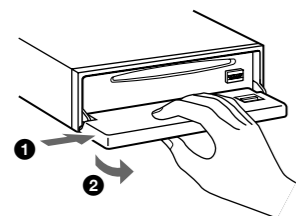
6 A TOYOTA



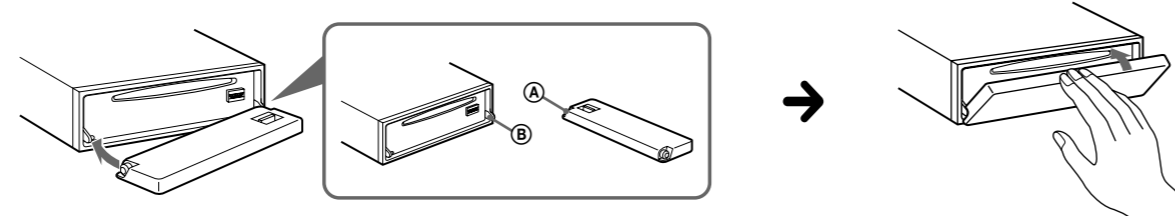
B NISSAN



7 A



B



Precautions

- Choose the installation location carefully so that the unit will not interfere with normal driving operations.
- Avoid installing the unit in areas subject to dust, dirt, excessive vibration, or high temperatures, such as in direct sunlight or near heater ducts.
- Use only the supplied mounting hardware for a safe and secure installation.

Mounting angle adjustment

Adjust the mounting angle to less than 45°.

Removing the protection collar and the bracket (4)

Before installing the unit, remove the protection collar (3) and the bracket (1) from the unit.

- 1 Remove the protection collar (3).
 - 1 Engage the release keys (3) together with the protection collar (3).
 - 2 Pull out the release keys (3) to remove the protection collar (3).
- 2 Remove the bracket (1).
 - 1 Insert both release keys (3) together between the unit and the bracket (1) until they click.
 - 2 Pull down the bracket (1), then pull up the unit to separate.

Mounting example (5)

Installation in the dashboard

Notes

- Bend these claws outward for a tight fit, if necessary (5-2).
- Make sure that the 4 catches on the protection collar (3) are properly engaged in the slots of the unit (5-3).

Mounting the unit in a Japanese car (6)

You may not be able to install this unit in some makes of Japanese cars. In such a case, consult your Sony dealer.

Note

To prevent malfunction, install only with the supplied screws (7).

How to detach and attach the front panel (7)

Before installing the unit, detach the front panel.

7-A To detach

Before detaching the front panel, be sure to press (OFF). Press (OPEN), then slide the front panel to the right, and gently pull out the left end of the front panel.

7-B To attach

Place the hole (A) of the front panel onto the spindle (B) on the unit, then lightly push the left side in.

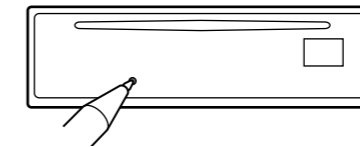
Warning if your car's ignition has no ACC position

After turning the ignition off, be sure to press and hold (OFF) on the unit until the display disappears.

Otherwise, the display does not turn off and this causes battery drain.

RESET button

When the installation and connections are completed, be sure to press the RESET button with a ballpoint pen, etc., after detaching the front panel.



使用前注意事項

- 仔細選取安裝位置，以使本裝置不干擾正常的駕駛操作。
- 避免將本機安裝在受灰塵、污物和強烈振動影響的區域，或安裝在高溫處，如直射陽光下或熱氣管道附近。
- 為了安裝安全和可靠，請使用附送的安裝構件。

安裝角度之調整

請在 45° 以內調整安裝角度。

拆下保護環和托架 (4)

安裝之前，請先從本裝置上拆下保護環 (3) 和托架 (1)。

- 1 拆下保護環 (3)。
 - 1 將開鎖鑰匙 (3) 與保護環 (3) 啮合。
 - 2 拉出開鎖鑰匙 (3) 以拆下保護環 (3)。
- 2 拆下托架 (1)。
 - 1 將兩把開鎖鑰匙 (3) 一起插入裝置和托架 (1) 之間，直至聽到喀喀聲。
 - 2 向下拉托架 (1)，然後向上拉裝置，使之相互脫離。

安裝示例 (5)

安裝在儀表板裡

註

- 若有必要，則可向外彎曲這些卡鉤爪 (5-2)。
- 必須將保護環 (3) 上的 4 個鉤爪正確啮合在裝置的卡槽中 (5-3)。

將本機安裝於日本產汽車上 (6)

有些日本產汽車不能安裝本機，在這種情形下，請向 Sony 經銷商諮詢。

註

為防止發生故障，安裝時只能使用附送的螺絲 (7)。

如何拆卸和裝配前面板 (7)

安裝本機之前，請先拆卸前面板。

7-A 拆卸

拆卸前面板之前，須先按下 (OFF) 鍵。按 (OPEN)，然後將前面板滑向右側，然後輕輕拉出前面板的左側。

7-B 裝配

將前面板的孔 (A) 對準本機上的軸 (B)，然後輕輕地推入左側。

如果您的汽車引擎沒有 ACC 位置時的警告

關閉引擎後，必須按住本機上的 (OFF) 不放，直至顯示消失。否則，顯示將一直開著從而消耗電池。

RESET 按鈕

當安裝和連接完成後，務請用原子筆等按壓 RESET 按鈕。

