

# Active Speaker System

Operating Instructions  
Manual de instrucciones

## SRS-T10PC

© 2004 Sony Corporation Printed in China

<http://www.sony.net/>

**English**

Before operating the unit, please read this manual thoroughly and retain it for future reference.

**WARNING**

To prevent fire or shock hazard, do not expose the unit to rain or moisture.  
To avoid electrical shock, do not open the cabinet. Refer servicing to qualified personnel only.  
To prevent fire, do not cover the ventilation of the apparatus with news papers, table-cloths, curtains, etc. Do not place lighted candles on the apparatus.  
To prevent fire or shock hazard, do not place objects filled with liquids, such as vases, on the apparatus.

Do not install the appliance in a confined space, such as a bookcase or built-in cabinet.

**CAUTION**  
You are cautioned that any changes or modification not expressly approved in this manual could void your authority to operate this equipment.

**For the customers in the U.S.A.**

**INFORMATION**  
This equipment has been tested and found to comply with the limits for a Class B digital device, pursuant to Part 15 of the FCC Rules. These limits are designed to provide reasonable protection against harmful interference in a residential installation. This equipment generates, uses, and can radiate radio frequency energy and, if not installed and used in accordance with the instructions, may cause harmful interference to radio communications. However, there is no guarantee that interference will not occur in a particular installation. If this equipment does cause harmful interference to radio or television reception, which can be determined by turning the equipment off and on, the user is encouraged to try to correct the interference by one or more of the following measures:

- Reorient or relocate the receiving antenna.
- Increase the separation between the equipment and receiver.
- Connect the equipment to an outlet on a circuit different from that to which the receiver is connected.
- Consult the dealer or an experienced radio/TV technician for help.

If you have any questions about this product, you may call:  
Sony Customer Informaion Services Center  
1-800-222-7669 or <http://www.sony.com/>

**Customer Support**  
The following URLs contain information on the latest customer support for the speaker, and frequently asked questions and answers.

Customers in the U.S.A.  
<http://www.sonymstyle.com/support>

Customers in Canada  
[http://www.sony.ca/sonyca/view/english/support\\_electronics.shtml](http://www.sony.ca/sonyca/view/english/support_electronics.shtml)  
[http://fr.sony.ca/sonyca/view/french/support\\_electronics.shtml](http://fr.sony.ca/sonyca/view/french/support_electronics.shtml)

Customers in Europe  
<http://www.support-nwwalkman.com/>

Customers in Asia Pacific  
<http://www.css.ap.sony.com/>

Declaration of Conformity  
Trade Name: SONY  
Model No.: SRS-T10PC  
Responsible Party: Sony Electronics Inc.  
Address: 18450 W. Bernardo Dr., San Diego, CA 92127 USA  
Telephone No.: 858-942-2230

This device complies with Part 15 of the FCC Rules. Operation is subject to the following two conditions:  
(1) This device may not cause harmful interference, and  
(2) this device must accept any interference received, including interference that may cause undesired operation.

- Microsoft and Windows are registered trademarks of Microsoft Corporation in the United States and/or other countries.
- In this manual, Microsoft® Windows® XP Home Edition and Microsoft® Windows® XP Professional are referred to as Windows XP.
- In this manual, Microsoft® Windows® 2000 Professional is referred to as Windows 2000.
- In this manual, Microsoft® Windows® Millennium Edition is referred to as Windows Me.
- In this manual, Microsoft® Windows® 98 Second Edition is referred to as Windows 98SE.
- All other names of systems and products are trademarks or registered trademarks of their respective owners.™ and ® marks are omitted in this manual.

**Features**

- Compact design**
- Compact, portable speaker system to carry along with your laptop. With a USB connection to your computer, clear sound is readily available.
  - This system utilizes the USB bus power; the connection of the AC power adaptor or batteries are not necessary. (Note that when your computer is running on batteries, the life span of the battery is reduced.)
  - The USB cable can be stored within the speakers.
- Simple settings**
- Requires a simple USB cable connection only.
- Clear sound**
- Newly developed 39 mm, thin type speaker provides clear, balanced sound.

**Precautions**

- After operating the system, disconnect the USB cable from the computer if the system is not to be used for an extended period.
- Do not open the cabinet. Refer servicing to qualified personnel only.
- Do not leave the system in a location near heat sources, or in a place subject to direct sunlight, excessive dust, moisture, rain or mechanical shock.
- Should any solid object or liquid fall into the system, remove the USB cable and have the system checked by qualified personnel before operating it any further.
- Do not use alcohol, benzine, or thinner to clean the cabinet.
- Although this system is magnetically shielded, do not leave recorded tapes, watches, personal credit cards or floppy disks using magnetic coding in front of the system for an extended period.

**If the TV picture or monitor display is magnetically distorted**

Although this system is magnetically shielded, there may be cases that the picture on some TV sets/personal computers sets may become magnetically distorted. In such a case, turn off the power of the TV set/personal computer set once, and after 15 to 30 minutes turn it on again. For the personal computer set, take the appropriate measures such as data storage before turning it off.

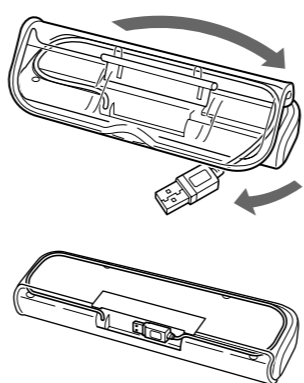
**When there seems to be no improvement**  
Locate the system farther away from the TV set/personal computer set. Furthermore, be sure not to place objects in which magnets are attached or used near the TV set/personal computer set, such as audio racks, TV stands, toys etc. These may cause magnetic distortion to the picture.

If you have any questions or problems concerning your system that are not covered in this manual, please consult your nearest Sony dealer.

**Setting the speaker (see fig. A)**

- 1 Open the cover.
- 2 Pull out the USB cable from the system storage section.
- 3 Stand the speaker on the cover.

**Putting the USB cable back in the system storage section**  
See illustration.



**Preparations**

**Preparation 1: Connection (see fig. B)**

- 1 Pull out the USB cable from the system storage section.
- 2 Connect the USB cable to the USB connecting terminal of your computer.

**Notes on USB connection**  
• If your computer is connected to other USB devices via a hub, there may be no sound or malfunction may occur. Connect the system directly to your computer with the USB cable to avoid a problem.  
• If the USB cable is not properly connected, the system may not be recognized by your computer. Check the direction of the USB connecting terminal and connect it properly.

**Preparation 2: Installation of device drivers (Windows XP)**

The device drivers have to be installed, when connecting to the USB connecting terminal of your computer for the first time. The device drivers are included in Windows XP and are not supplied with the system. For details, refer to the manual of your computer.

- 1 Switch on your computer and start Windows XP.
- 2 Connect the system to your computer.
- 3 The "USB Composite Device/USB Audio Device/USB Human Interface Device" drivers are automatically installed.

**Notes**  
• You need not perform the above installation procedure when connecting for the second time or later. (For different USB connecting terminals, you may have to install again.)  
• During and after installing the device drivers, "C-Media USB Headphone Set" is displayed in the [USB Audio Device] properties.

**Setting of music CD replay**  
This setting is necessary when playing back the music CD in the CD-ROM drive.

- 1 Select "Control Panel" from the "Start" menu.
- 2 Click "Sounds, Speech, and Audio Devices."
- 3 Click "Sounds and Audio Devices" icon and open "Sounds and Audio Devices Properties."
- 4 Select "Hardware."
- 5 Select the CD-ROM icon for replaying the music from "Devices" and click "Properties."
- 6 Select "Properties."
- 7 Click the check box "Enable digital CD audio for this CD-ROM device."
- 8 Select "OK" and exit.

**Preparation 2: Installation of device drivers (Windows 2000)**

The device drivers have to be installed, when connecting to the USB connecting terminal for the first time. The device drivers are included in Windows 2000 and are not supplied with the system. For details, refer to the manual of your computer.

- 1 Switch on your computer and start Windows 2000.
- 2 Connect the system to your computer.
- 3 The "USB Composite Device/USB Human Interface Device/USB Audio Device" drivers are automatically installed.

**Notes**  
• You need not perform the above installation procedure when connecting for the second time or later. (For different USB connecting terminals, you may have to install again.)  
• During and after installing the device drivers, "C-Media USB Headphone Set" is displayed in the [USB Audio Device] properties.

**Setting of music CD replay**  
This setting is necessary when playing back the music CD in the CD-ROM drive.

- 1 Select "Settings" - "Control Panel" from the "Start" menu.
- 2 Double click the icon "Sounds and Multimedia" and open "Sounds and Multimedia Properties."
- 3 Select "Hardware."
- 4 Select the CD-ROM icon for replaying the music from "Devices" and open "Properties."
- 5 Select "Properties."
- 6 Click the check box "Enable digital CD audio for this CD-ROM device."
- 7 Select "OK" and exit.

**Preparation 2: Installation of device drivers (Windows Me)**

The device drivers have to be installed, when connecting to the USB connecting terminal for the first time. The device drivers are included in Windows Me and are not supplied with the system. For details, refer to the manual of your computer.

- 1 Switch on your computer and start Windows Me.
- 2 Connect the system to your computer.
- 3 Install the "USB Composite Device" driver.  
The "USB Composite Device" driver is automatically installed.
- 4 Install the "USB Audio Device" driver.  
① [Add New Hardware Wizard] is displayed just after the "USB Composite Device" driver is installed.  
② Check that "USB Audio Device" is displayed in [Windows has found the following new hardware] window, and check that the "Automatic search for a better driver[Recommended]" check box is selected and click "Next."  
③ The "USB Audio Device" driver is automatically installed.  
④ When [Windows has finished installing the new hardware device] is displayed, click "Finish."

- 5 Install the "USB Human Interface Device" driver.  
The "USB Human Interface Device" driver is automatically installed after "USB Audio Device" driver is installed.
- 6 Restart your computer with the system connected.

**Note**  
You need not perform the above installation procedure when connecting for the second time or later. (For different USB connecting terminals, you may have to install again.)

**Settings of music CD replay**  
This setting is necessary when playing back a music CD in the CD-ROM drive.

- 1 Select "Settings" - "Control Panel" from the "Start" menu.
- 2 Double click the "System" icon and open "System Properties."
- 3 Select "Device Manager."
- 4 Double click the "CD-ROM" icon.
- 5 Select the drive for replaying music, and click "Properties."
- 6 Select "Properties."
- 7 Click the check box "Enable digital CD audio for this CD-ROM device."
- 8 Select "OK" and exit.

**Preparation 2: Installation of device drivers (Windows 98SE)**

The device drivers have to be installed, when connecting to the USB connecting terminal for the first time. The device drivers are included in Windows 98SE and are not supplied with the system. Furthermore, you will need the Windows 98SE CD-ROM to install the device drivers. For details, refer to the manual of your computer.

- 1 Switch on your computer and start Windows 98SE.
- 2 Connect the system to your computer.  
When the system is connected to the computer, [Add New Hardware Wizard] is displayed and the installation of the device driver automatically starts. Install each driver following the on-screen instructions.  
\* When a message such as Insert the disk labeled Windows 98SE CD-ROM is displayed, insert the Windows 98SE CD-ROM in the CD-ROM drive and click "OK."  
Depending on the kind of computer you are using, you may have to specify the drive names (such as D:) or file names.
- 3 Install the "USB Composite Device" driver.  
① Check that "USB Composite Device" is displayed in the [This wizard searches for new drivers for] window, and click "Next."  
[What do you want Windows to do?] is displayed.  
② Check that the "Search for the best driver for your device.[Recommended]," check box is selected and click "Next."  
[Windows will search for new drivers in its driver database on your hard drive, and in any of the following selected locations.] is displayed.  
③ For items checked at the beginning, check the "CD-ROM drive" check box and click "Next."  
[Windows driver file search for the device] is displayed.  
④ Check that [USB Composite Device] is displayed and click "Next."  
The driver is copied.  
⑤ When [Windows has finished installing the software that your new hardware device requires.] is displayed, click "Finish."

- 4 Install the "USB Human Interface Device" driver.  
① Check that "USB Human Interface Device" is displayed in the [This wizard searches for new drivers for] window, and click "Next."  
[What do you want Windows to do?] is displayed.  
② Check that the "Search for the best driver for your device.[Recommended]," check box is checked, and click "Next."  
[Windows will search for new drivers in its driver database on your hard drive, and in any of the following selected locations.] is displayed.  
③ For items checked at the beginning, check the "CD-ROM drive" check box, and click "Next."  
[Windows driver file search for the device] is displayed.  
④ Check that [USB Human Interface Device] is displayed, and click "Next."  
The driver is copied.  
⑤ When [Windows has finished installing the software that your new hardware device requires.] is displayed, click "Finish."

- 5 Install the "USB Audio Device" driver.  
① Check that "USB Audio Device" is displayed in the [This wizard searches for new drivers for] window, and click "Next."  
[What do you want Windows to do?] is displayed.  
② Check that the "Search for the best driver for your device.[Recommended]," check box is selected and click "Next."  
[Windows will search for new drivers in its driver database on your hard drive, and in any of the following selected locations.] is displayed.  
③ For items checked at the beginning, check the "CD-ROM drive" check box and click "Next."  
[Windows driver file search for the device] is displayed.  
④ Check that [USB Audio Device] is displayed, and click "Next."  
The driver is copied.  
⑤ When [Windows has finished installing the software that your new hardware device requires.] is displayed, click "Finish."

- 6 Restart your computer with the system connected.

**Note**  
You need not perform the above installation procedure when connecting for the second time or later. (For different USB connecting terminals, you may have to install again.)

**Setting of music CD replay**  
This setting is necessary when playing back the music CD in the CD-ROM drive.

- 1 Select "Settings" - "Control Panel" from the "Start" menu.
- 2 Double click the icon "Multimedia" and open "Multimedia Properties."
- 3 Select "CD Music."
- 4 Click the check box "Enable digital CD audio for this CD-ROM device."
- 5 Select "OK" and exit.

**How to use (see fig. C)**

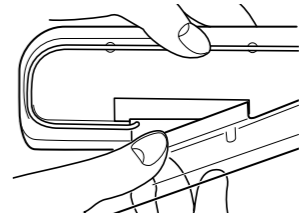
Before starting, refer to "Setting the speaker."

- 1 Switch on the computer.  
The POWER indicator lights up.  
**Note**  
When connecting the system to your computer, the volume of your computer may increase to the maximum level. Turn down the volume of your computer before playing the music software.
- 2 Start the software for replaying the music in your computer.  
**Note**  
If the system is connected while the music software is running in your computer, music may not come from the system. Stop the music software once and start again. Music can be heard from the system.

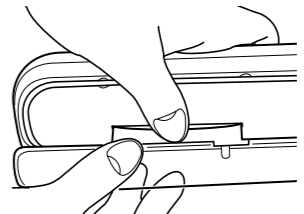
**To adjust the volume**  
To set the appropriate volume, adjust the volume control of your computer.

**If the cover is detached**

- 1 Insert one side of the hook of the cover in the rear hole.



- 2 Insert the other side of the hook in the rear hole.



**Notes on use**

- If the volume is too low, the volume of the computer may be set at a low level. Check the computer's volume from the control panel. The volume may differ, depending on the software's recording levels.
- If you can only hear music from the system with the computer running on batteries, battery charge has dropped. Use the AC adaptor when using the system for an extended period.
- Do not continuously cause the "Beep" to sound in your system, to avoid reducing battery life span or malfunction from excess current.
- Do not use the system via a USB hub or USB extension cable as a malfunction may occur. Connect the system directly to the USB connecting terminal of your computer.
- When connecting the system to the USB connecting terminal of your computer, do not pull out or insert the plug repeatedly or forcibly as the system may not be recognized by computer, there may be no sound from the system, or the system may malfunction.
- Connect the system to the USB connecting terminal of your computer. For details, refer to the manual of your computer.
- When checking the connection between the system and the computer, check the device manager of the computer. For details, refer to the manual of your computer.
- When the computer has two or more USB connecting terminals, the system may not be used with other USB devices at the same time as low-output, sound skipping or noise may occur. For details, refer to the manual of your computer.
- Operations are not guaranteed with Windows OS installed in do-it-yourself computers, upgraded Windows OS, and non-compliant OS.
- Sony recommends a Pentium II CPU speed of 300 MHz or faster, or Celeron speed of 500 MHz or faster. If the requirements of the CPU is insufficient, or when other applications are running simultaneously, reading data may skip and cause noise or intermittent sound.
- If the sound from the speakers is distorted, or noise is excessive, adjust the volume of the computer through the control panel.
- If the sound from the alarm of your computer and that of playback is unbalanced, adjust by following the manual of your computer.
- Sony recommends that you take a back up of important data before installing the USB device drivers. Sony will not be responsible in the case that the computer cannot be used or data is lost due to a mistaken operation or breakdown.
- When using the suspension resume function (system suspend, system hibernation, etc.), the system speakers may not work correctly. In such a case, restart either the application or the computer.
- Do not disconnect and reconnect the USB cable while playing music in a CD player or in a media player. It may cause a malfunction or a breakdown.
- Do not disconnect and reconnect the USB cable of the system while running music playback software as a malfunction may occur. If, however, you have disconnected and connected the USB cable, restart it after shutting down any currently running software.

- If the USB plug is inclined or is connected slowly between the system to the USB connecting terminal, malfunction may occur. Connect the plug squarely and promptly. If your computer malfunctions, reconnect the system to your computer or restart your computer.
- If you start the music playback software soon after the system is connected to your computer, malfunction may occur. Start the software 5 seconds after the system is connected.
- When playing a music CD, be sure to click the check box "Enable digital CD audio for this CD-ROM device." If not, the music CD may not be played. For details on how to click the check box, refer to the manual of your computer.
- While using the system with Windows 2000, the volume of your computer may be increased when resuming from stand-by mode. In such a case, adjust the volume of your computer.

**Troubleshooting**

- Sound is distorted.**  
The input signal is too high.  
→ Reduce the volume of the computer.  
→ Depending on the software you are using, the plot comes closer to being flat by adjusting the equalizer.
- Sound is low.**  
The volume control of the computer or the volume of the music playback software must be turned down.  
→ Adjust the volume control of your computer.
- There is no sound.**  
• The USB cable is not connected properly.  
→ Connect the USB cable properly.  
• The system is connected while music software is being replayed.  
→ Stop playback of the music software and start again.  
• The audio replaying device of your computer is not set correctly.  
→ Windows XP: Select "Audio," in [Sounds and Audio Devices Properties], and select "C-Media USB Headphone Set" for [Default device] in the Sound Playback menu.  
→ Windows 2000: Select "Audio" in [Sounds and Multimedia Properties], and select "USB Audio Device" for [Preferred device] in the Sound Playback menu.  
→ Windows Me: Select "Audio" in [Sounds and Multimedia Properties], and select "USB Audio Device" for [Preferred device] in the Sound Playback menu.  
• The volume control of the computer or the music playback software is set at "Mute."  
→ Remove the mute.  
• The USB port is not recognized.  
→ Restart after quitting the playback software. If the problem persists, restart your computer.  
• USB is not available.  
→ Check the device manager of your computer.
- There is noise or no sound.**  
• The CPU of your computer is overloaded.  
→ Exit other applications.  
• The system is being used via the USB hub.  
→ Connect the system directly to the USB connecting terminal of your computer.
- There is no sound from the speakers when using the built-in mike or external mike of the connected computer.**  
• The audio recording device of your computer is not set correctly.  
→ Change the audio recording device of your computer, from "USB Audio Device" to the audio device or external mike installed in your computer.

For details on the operation of your computer, refer to the manual of your computer.

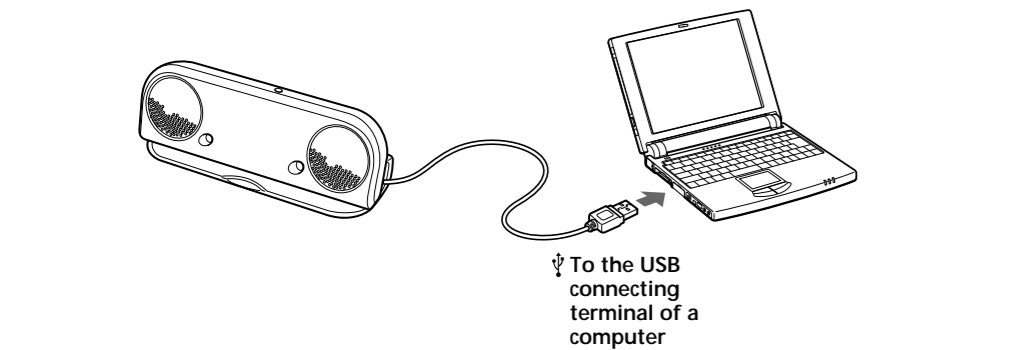
There can be some breakdowns that cannot be solved even with "Troubleshooting." In such cases, contact your nearest Sony dealer.

**Specifications**

<b>Speaker section</b>	
Enclosure type	Full range, Bass reflex, magnetically shielded
Speaker system	39 mm
Impedance	4 Ω
Rated input power	0.25 W
Maximum input power	0.3 W
<b>Amplifier section</b>	
Maximum output power	0.25 W + 0.25 W (10 % T.H.D., 1 kHz, 4 Ω) USB cable, Type A plug, Approx. 30 cm (1 1/8 inch)
Input	
<b>System required</b>	
Compliant computer	IBM PC/AT or compatible computers with USB port
Compliant OS*	Windows XP Professional, Windows XP Home Edition, Windows 2000 Professional, Windows Millennium Edition, Windows 98 Second Edition, Windows 98/300 MHz or faster/Celeron 500 MHz or faster
<b>Recommended CPU</b>	
General	
Power supply	USB bus power compliant (5 V, 500 mA or less)
Dimensions (w × h × d)	Approx. 170 × 60 × 24 mm (6 3/4 × 2 3/8 × 1 3/8 inch) Approx. 190 g (7 oz.)
Mass	
Supplied accessory	Operating instructions (1)

Design and specifications are subject to change without notice.  
\* Complies with the original manufacturer-installed English operating system. Trouble-free operations are not guaranteed for all computers with the above systems installed.

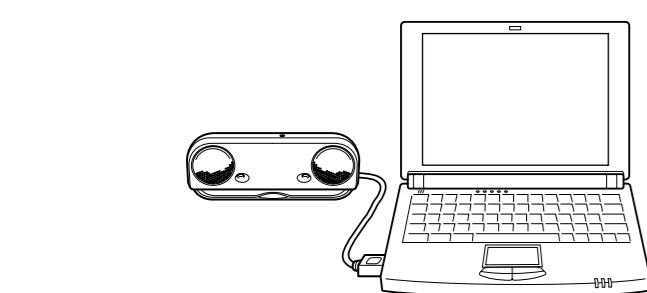
**B**



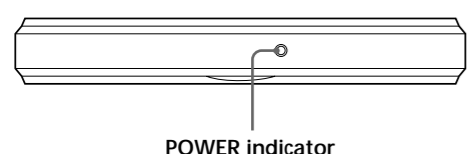
To the USB connecting terminal of a computer

**C**

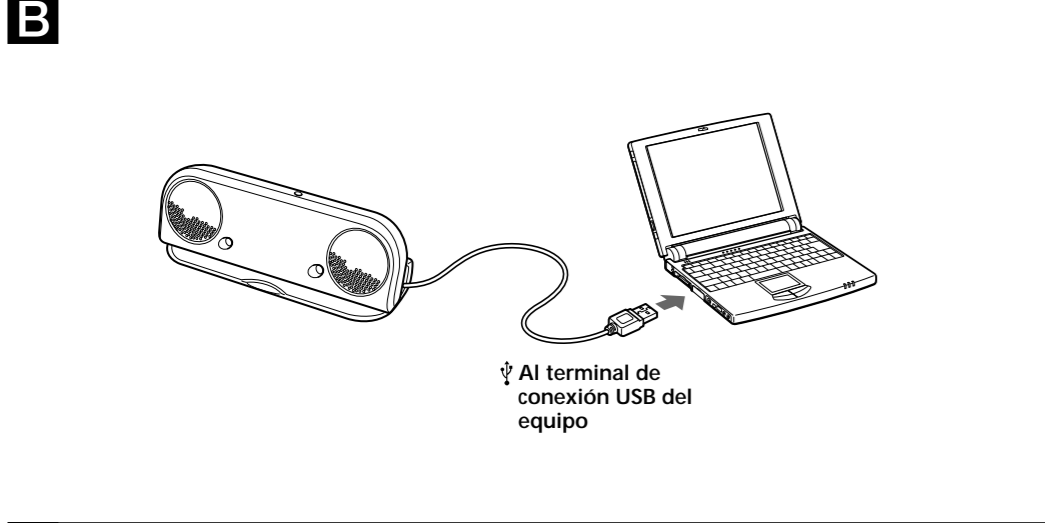
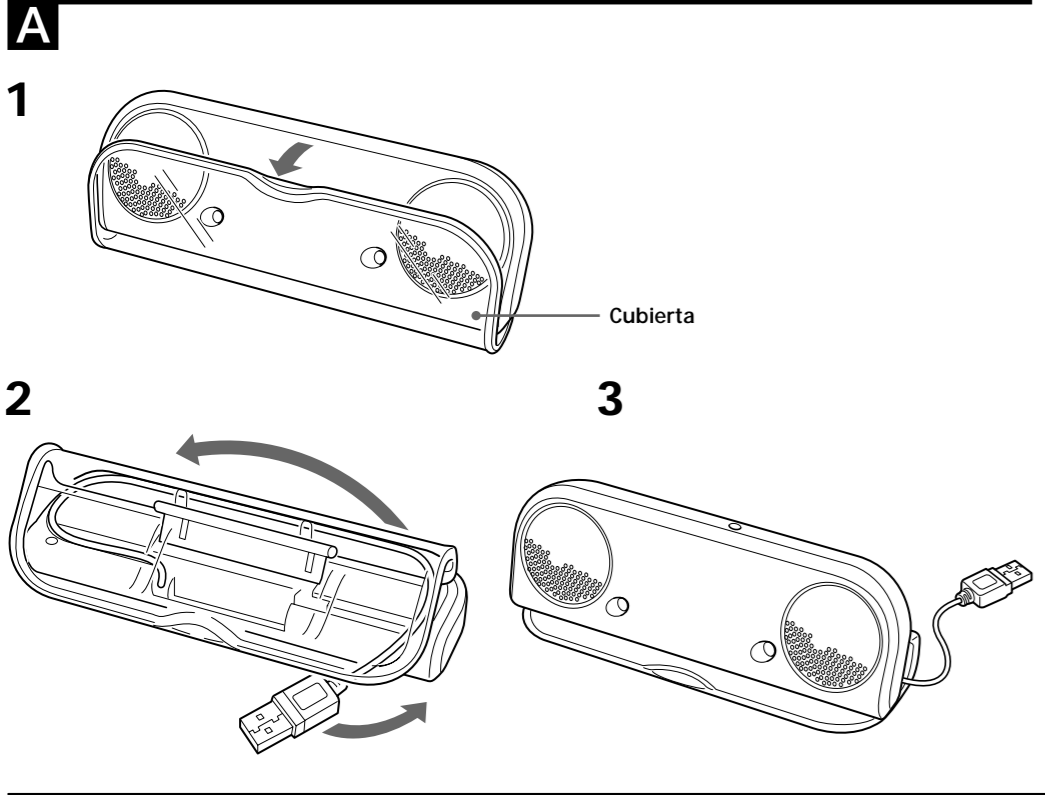
**Image**



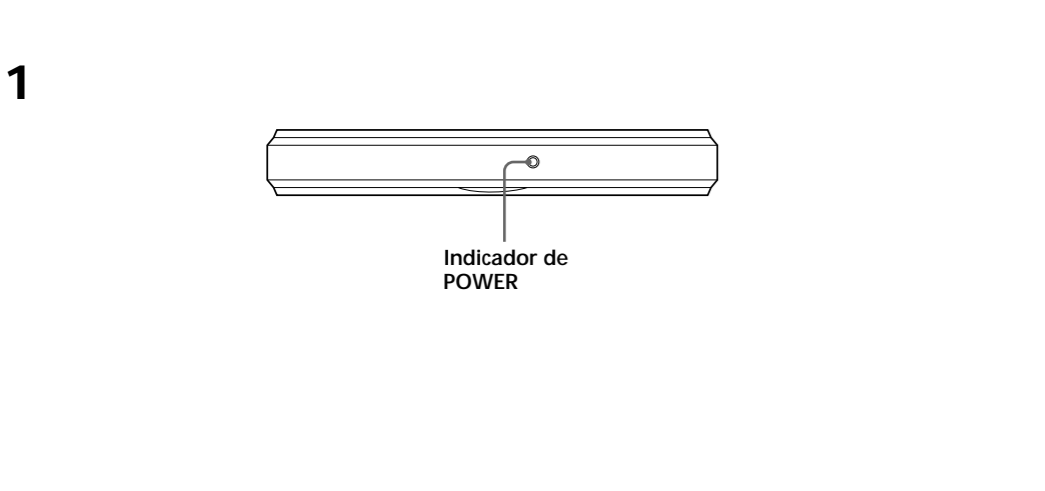
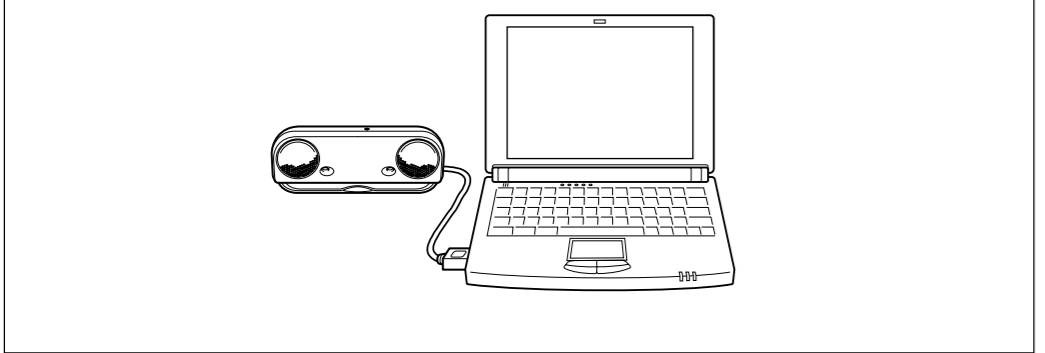
**1**



POWER indicator



## Imagen



### Español

Antes de utilizar la unidad, lea este manual atentamente y consérvelo para consultarlo en el futuro.

Para los clientes en México
**Sistema de altavoces activo**
**POR FAVOR LEA DETALLADAMENTE ESTE MANUAL DE INSTRUCCIONES ANTES DE CONECTAR Y OPERAR ESTE EQUIPO.**
**RECUERDE QUE UN MAL USO DE SU APARATO PODRÍA ANULAR LA GARANTÍA.**

### ADVERTENCIA

Para evitar incendios o riesgo de electrocución, no exponga la unidad a la lluvia ni a la humedad. Para evitar descargas eléctricas, no abra la unidad. En caso de avería, solicite los servicios de personal cualificado solamente.

Para evitar el riesgo de incendio, no cubra la ventilación del aparato con periódicos, manteles, cortinas, etc., ni ponga velas encendidas encima del aparato. Para evitar el riesgo de incendio o electrocución, no coloque sobre el aparato objetos que contengan líquidos como, por ejemplo, un jarrón.

No instale el aparato en un espacio cerrado, como una estantería para libros o un armario empotrado.
--

#### Asistencia al cliente

Las direcciones URL que encontrará a continuación contienen información actualizada sobre el servicio de asistencia al cliente para los altavoces, así como preguntas y respuestas frecuentes.

Para los clientes en los EE.UU.
http://www.sonystyle.com/support\_electronics.shtml

Para los clientes en Canadá
http://www.sony.ca/sonyca/view/english/support\_electronics.shtml
http://fr.sony.ca/sonyca/view/french/support\_electronics.shtml

Para los clientes en Europa
http://www.support-nwalkman.com/

Para los clientes en la región Asia Pacifico
http://www.css.ap.sony.com/

- Microsoft y Windows son marcas comerciales registradas de Microsoft Corporation en los Estados Unidos y/u otros países.
- En este manual, el término Windows XP se utiliza para indicar Microsoft® Windows® XP Home Edition y Microsoft® Windows® XP Professional.
- En este manual, el término Windows 2000 se utiliza para indicar Microsoft® Windows® 2000 Professional.
- En este manual, el término Windows Me se se utiliza para indicar Microsoft® Windows® Millennium Edition.
- En este manual, el término Windows 98SE se utiliza para indicar Microsoft® Windows® 98 Second Edition.
- Todos los demás nombres de sistemas y productos son marcas comerciales o marcas comerciales registradas de sus respectivos propietarios. Las marcas ™ y ® se omiten en este manual.

## Características

#### Diseño compacto

- Sistema de altavoces compacto y portátil para llevarlo con el ordenador portátil. Con la conexión USB al ordenador, dispondrá enseguida de sonido muy claro.
- Este sistema utiliza la alimentación del bus USB; no es necesario conectar ninguna batería ni adaptador de alimentación de CA. (Tenga en cuenta que cuando el ordenador funciona con la batería, se reducirá la vida útil de la batería).
- El cable USB puede guardarse dentro de los altavoces.

#### Ajustes sencillos

- Sólo se requiere una conexión de cable USB.

#### Sonido claro

- Los nuevos altavoces de 39 mm de tipo plano ofrecen sonido claro y equilibrado.

### Precauciones

- Si no va a utilizar el sistema durante un periodo de tiempo prolongado, desconecte el cable USB del equipo al finalizar el uso.
- No abra la unidad. Solicite asistencia técnica únicamente a personal cualificado.
- No deje el sistema cerca de fuentes de calor, ni en lugares expuestos a la luz solar directa, polvo excesivo, humedad, lluvia o golpes mecánicos.
- Si se introduce algún objeto sólido o líquido en el sistema, retire el cable USB y hágalo revisar por personal cualificado antes de seguir utilizándolo.
- No utilice alcohol, bencina o disolvente para limpiar la unidad.
- Aunque este sistema está magnéticamente protegido, no deje cintas grabadas, relojes, tarjetas de crédito ni disquetes que utilicen codificación magnética frente al sistema durante un largo periodo de tiempo.

Si la imagen del televisor o la pantalla del monitor aparece distorsionada debido al magnetismo

Aunque este sistema está magnéticamente protegido, es posible que, en ocasiones, la imagen de algunos ordenadores personales o televisores se distorsione debido al magnetismo. En tal caso, desactive una vez la alimentación del televisor o del ordenador personal y, transcurridos de 15 a 30 minutos, vuelva a activarla. En el caso del ordenador personal, tome las debidas medidas de precaución, como guardar los datos antes de desconectarlo.

Si el problema persiste
Coloque el sistema más alejado del televisor o del ordenador personal. Además, asegúrese de no colocar objetos que tengan o utilicen imanes cerca del televisor o del ordenador personal, como soportes de audio, soportes de televisor, juguetes, etc. Estos podrían ser la causa de la distorsión magnética en la imagen.

Si tiene preguntas o problemas referentes al sistema y no encuentra la solución en este manual, póngase en contacto con su distribuidor Sony más cercano.

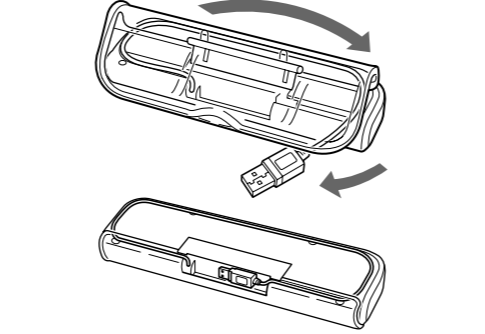
### Colocación del altavoz (consulte la figura A)

- Abra la cubierta.

- Tire del cable USB para sacarlo de la sección de almacenaje del sistema.

- Coloque el altavoz sobre la cubierta.

Para volver a poner el cable USB en la sección de almacenaje del sistema
Vea la ilustración.



## Preparativos

Preparativo 1: Conexión (consulte la figura B)

- Extraiga el cable USB tirando de él desde la sección de almacenamiento del sistema.
- Conecte el cable USB al terminal de conexión USB del equipo.

**Notas sobre la conexión USB**

- Si hay otros dispositivos USB conectados al ordenador a través de un concentrador, es posible que no se emita sonido o que se produzca un mal funcionamiento. Conecte el sistema directamente al ordenador con el cable USB para evitar problemas.
- Si el cable USB no está conectado correctamente, es posible que el equipo no reconozca el sistema. Compruebe la dirección del terminal de conexión USB y conéctelo correctamente.

**Preparativo 2: Instalación de los controladores del dispositivo (Windows XP)**
Los controladores del dispositivo deben instalarse al conectar el sistema por primera vez al terminal de conexión USB del equipo.
Los controladores del dispositivo están incluidos en Windows XP, por lo que no se suministran con el sistema. Para ver los detalles, consulte el manual de instrucciones de su ordenador.

- Encienda el ordenador e inicie Windows XP.
- Conecte el sistema al ordenador.
- Los controladores de “USB Composite Device/USB Audio Device/USB Human Interface Device” se instalarán automáticamente.

#### Notas

- No es necesario realizar el procedimiento de instalación anterior cuando conecte el sistema a partir de la segunda vez. (Es posible que cuando lo conecte a conectores USB distintos, si deba realizar la instalación otra vez.)
- Durante la instalación de los controladores del dispositivo y después de la instalación, aparecerá “C-Media USB Headphone Set” en Propiedades de [USB Audio Device].

**Ajuste para reproducir un CD de música**
Este ajuste es necesario si reproduce un CD de música en la unidad de CD-ROM.

- Seleccione “Control Panel” del menú “Start”.
- Haga clic en “Sounds, Speech, and Audio Devices”.
- Haga clic en el icono “Sounds and Audio Devices” para abrir “Sounds and Audio Devices Properties”.
- Seleccione “Hardware”.
- Seleccione el icono del CD-ROM que utilizará para reproducir música de “Devices” y haga clic en “Properties”.
- Seleccione “Properties”.
- Haga clic en la casilla de verificación “Enable digital CD audio for this CD-ROM device”.
- Seleccione “OK” para salir del cuadro de diálogo.

**Preparativo 2: Instalación de los controladores del dispositivo (Windows 2000)**
Los controladores del dispositivo deben instalarse al conectar el sistema por primera vez al terminal de conexión USB.
Los controladores del dispositivo están incluidos en Windows 2000, por lo que no se suministran con el sistema. Para ver los detalles, consulte el manual de instrucciones de su ordenador.

- Encienda el ordenador e inicie Windows 2000.
- Conecte el sistema al ordenador.
- Los controladores de “USB Composite Device/USB Human Interface Device/USB Audio Device” se instalan automáticamente.

#### Notas

- No será necesario realizar el procedimiento de instalación descrito anteriormente en conexiones posteriores. (Si utiliza terminales de conexión USB distintos, es posible que deba volverlos a instalar.)
- Durante la instalación de los controladores del dispositivo y después de la instalación, aparecerá “C-Media USB Headphone Set” en Propiedades de [USB Audio Device].

**Ajuste para reproducir un CD de música**
Este ajuste es necesario si reproduce un CD de música en la unidad de CD-ROM.

- Seleccione “Settings” – “Control Panel” en el menú “Start”.
- Haga doble clic en el icono “Sounds and Multimedia” para abrir “Sounds and Multimedia Properties”.
- Seleccione “Hardware”.
- Seleccione el icono del CD-ROM que utilizará para reproducir música de “Devices” y abra las “Properties”.
- Seleccione “Properties”.
- Haga clic en la casilla de verificación “Enable digital CD audio for this CD-ROM device”.
- Seleccione “OK” para salir del cuadro de diálogo.

**Preparativo 2: Instalación de los controladores del dispositivo (Windows Me)**
Los controladores del dispositivo deben instalarse al conectar el sistema por primera vez al terminal de conexión USB.
Los controladores del dispositivo están incluidos en Windows Me, por lo que no se suministran con el sistema. Para ver los detalles, consulte el manual de instrucciones de su ordenador.

- Encienda el ordenador e inicie Windows Me.
- Conecte el sistema al ordenador.
- Instale el controlador de “USB Composite Device”.
El controlador de “USB Composite Device” se instala de manera automática.
- Instale el controlador de “USB Audio Device”.
  - El [Add New Hardware Wizard] aparece inmediatamente después de instalar el controlador de “USB Composite Device”.
  - Compruebe que aparece “USB Audio Device” en la ventana [Windows has found the following new hardware] y que la casilla de verificación “Automatic search for a better driver(Recommended)” está seleccionada. A continuación, haga clic en “Next”.
  - El controlador de “USB Audio Device” se instala de manera automática.
  - Cuando aparezca [Windows has finished installing the new hardware device], haga clic en “Finish”.

- Instale el controlador de “USB Human Interface Device”.
El controlador de “USB Human Interface Device” se instala automáticamente una vez instalado de el controlador de “USB Audio Device”.
- Reinicie el ordenador con el sistema conectado.

**Nota**
No será necesario realizar el procedimiento de instalación descrito anteriormente en conexiones posteriores. (Si utiliza terminales de conexión USB distintos, es posible que deba volverlos a instalar.)

**Ajuste para reproducir un CD de música**
Este ajuste es necesario si reproduce un CD de música en la unidad de CD-ROM.

- Seleccione “Settings” – “Control Panel” en el menú “Start”.
- Haga doble clic en el icono “System” para abrir “System Properties”.
- Seleccione “Device Manager”.
- Haga doble clic en el icono del “CD-ROM”.
- Seleccione la unidad que desea utilizar para reproducir música y haga clic en “Properties”.
- Seleccione “Properties”.
- Active la casilla de verificación “Enable digital CD audio for this CD-ROM device”.
- Seleccione “OK” para salir del cuadro de diálogo.

**Preparativo 2: Instalación de los controladores del dispositivo (Windows 98SE)**
Los controladores del dispositivo deben instalarse al conectar el sistema por primera vez al terminal de conexión USB.
Los controladores del dispositivo están incluidos en Windows 98SE, por lo que no se suministran con el sistema. Además, necesitará el CD-ROM de Windows 98SE para poder instalar los controladores del dispositivo. Para ver los detalles, consulte el manual de instrucciones de su ordenador.

- Encienda el ordenador e inicie Windows 98SE.
- Conecte el sistema al ordenador.
Al conectar el sistema al ordenador, aparece el [Add New Hardware Wizard] y se inicia la instalación automática del controlador de dispositivo.
Instale cada uno de los controladores siguiendo las instrucciones que aparecen en pantalla.
\* Cuando aparezca un mensaje del tipo Inserte el disco Windows 98SE CD-ROM, inserte el CD-ROM de Windows 98SE en la unidad de CD-ROM y haga clic en “OK”.
En función del tipo de ordenador que utilice, es posible que deba especificar los nombres de unidad (como, por ejemplo, D:) o los nombres de archivo.
- Instale el controlador de “USB Composite Device”.
  - Compruebe que aparece “USB Composite Device” en la ventana [This wizard searches for new drivers for] y haga clic en “Next”. Aparecerá [What do you want Windows to do?].
  - Compruebe que la casilla de verificación “Search for the best driver for your device. [Recommended],” está seleccionada y haga clic en “Next”. Aparecerá [Windows will search for new drivers in its driver database on your hard drive, and in any of the following selected locations].
  - Para los elementos comprobados al principio, coloque una marca en la casilla de verificación “CD-ROM drive” y haga clic en “Next”. Aparecerá [Windows driver file search for the device].
  - Compruebe que aparece [USB Composite Device] y haga clic en “Next”. Se copiará el controlador.
  - Cuando aparezca [Windows has finished installing the software that your new hardware device requires.], haga clic en “Finish”.

- Instale el controlador de “USB Human Interface Device”.
  - Compruebe que aparece “USB Human Interface Device” en la ventana [This wizard searches for new drivers for] y haga clic en “Next”. Aparecerá [What do you want Windows to do?].
  - Compruebe que la casilla de verificación “Search for the best driver for your device. [Recommended],” está marcada y haga clic en “Next”. Aparecerá [Windows will search for new drivers in its driver database on your hard drive, and in any of the following selected locations].
  - Para los elementos comprobados al principio, coloque una marca en la casilla de verificación “CD-ROM drive” y haga clic en “Next”. Aparecerá [Windows driver file search for the device].
  - Compruebe que aparece [USB Composite Device] y haga clic en “Next”. Se copiará el controlador.
  - Cuando aparezca [Windows has finished installing the software that your new hardware device requires.], haga clic en “Finish”.

- Instale el controlador de “USB Audio Device”.
  - Compruebe que aparece “USB Human Interface Device” en la ventana [This wizard searches for new drivers for] y haga clic en “Next”. Aparecerá [What do you want Windows to do?].
  - Compruebe que la casilla de verificación “Search for the best driver for your device. [Recommended],” está marcada y haga clic en “Next”. Aparecerá [Windows will search for new drivers in its driver database on your hard drive, and in any of the following selected locations].
  - Para los elementos comprobados al principio, coloque una marca en la casilla de verificación “CD-ROM drive” y haga clic en “Next”. Aparecerá [Windows driver file search for the device].
  - Compruebe que aparece [USB Human Interface Device] y haga clic en “Next”. Se copiará el controlador.
  - Cuando aparezca [Windows has finished installing the software that your new hardware device requires.], haga clic en “Finish”.

- Instale el controlador de “USB Audio Device”.
  - Compruebe que aparece “USB Audio Device” en la ventana [This wizard searches for new drivers for] y haga clic en “Next”. Aparecerá [What do you want Windows to do?].
  - Compruebe que la casilla de verificación “Search for the best driver for your device. [Recommended],” está seleccionada y haga clic en “Next”. Aparecerá [Windows will search for new drivers in its driver database on your hard drive, and in any of the following selected locations].
  - Para los elementos comprobados al principio, coloque una marca en la casilla de verificación “CD-ROM drive” y haga clic en “Next”. Aparecerá [Windows driver file search for the device].
  - Compruebe que aparece [USB Audio Device] y haga clic en “Next”. Se copiará el controlador.
  - Cuando aparezca [Windows has finished installing the software that your new hardware device requires.], haga clic en “Finish”.

**Nota**
No será necesario realizar el procedimiento de instalación descrito anteriormente en conexiones posteriores. (Si utiliza terminales de conexión USB distintos, es posible que deba volverlos a instalar.)

**Ajuste para reproducir un CD de música**
Este ajuste es necesario si reproduce un CD de música en la unidad de CD-ROM.

- Seleccione “Settings” – “Control Panel” en el menú “Start”.
- Haga doble clic en el icono “Multimedia” para abrir “Multimedia Properties”.
- Seleccione “CD Music”.
- Haga clic en la casilla de verificación “Enable digital CD audio for this CD-ROM device”.
- Seleccione “OK” para salir del cuadro de diálogo.

### Utilización (consulte la figura C)

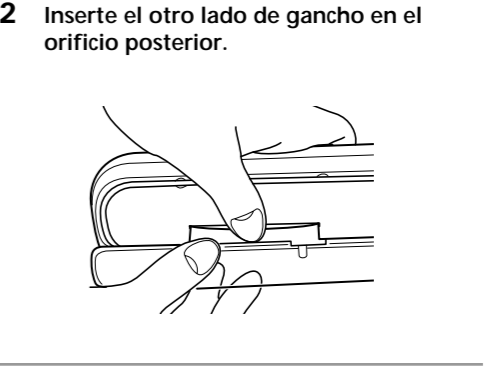
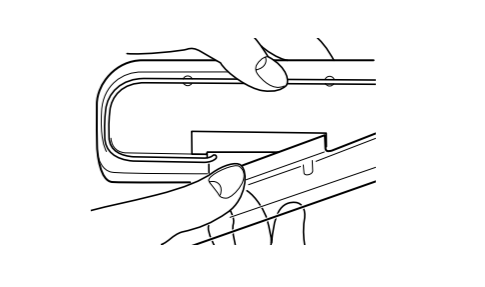
Antes de comenzar, consulte el apartado “Colocación del altavoz”.

- Encienda el ordenador
El indicador POWER se enciende.
**Nota**
Cuando conecte el sistema al ordenador, es posible que el volumen del ordenador aumente hasta el nivel máximo. Baje el volumen del ordenador antes de reproducir música.
- Inicie el software de reproducción de música en el ordenador
**Nota**
Si el sistema está conectado mientras se ejecuta el software de música en el ordenador, es posible que el sistema no emita música. Detenga el software de música una vez y reinicielo. El sistema emitirá música.

**Para ajustar el volumen**
Para establecer el volumen apropiado, ajústelo con el control de volumen del ordenador.

**Si se ha separado la cubierta**

- Inserte el gancho de la cubierta en el orificio posterior.



### Notas sobre el uso

- Si el volumen es demasiado bajo, es posible que el volumen del ordenador esté ajustado a un nivel bajo. Compruebe el volumen del ordenador desde el panel de control. El volumen puede variar en función de los niveles de grabación del software.
- Si sólo puede ir música del sistema cuando el ordenador funciona con la batería, significa que la batería está bastante descargada. Emplee el adaptador de ca cuando utilice el sistema durante un periodo de tiempo prolongado.
- Procure que el sistema no emita pitidos continuamente: de este modo evitará que se reduzca la duración de la batería así como posibles fallos de funcionamiento provocados por un exceso de corriente.
- No utilice el sistema mediante un concentrador USB o un cable de extensión USB, ya que podrían producirse errores en el funcionamiento. Conecte el sistema directamente al terminal de conexión USB del equipo.
- Cuando conecte el sistema al terminal de conexión USB del equipo, no tire de la clavija ni la inserte de forma insistente o forzada, ya que el equipo podría no reconocer el sistema, el sistema podría no emitir sonido alguno o podrían producirse errores en el funcionamiento del mismo.
- Conecte el sistema al terminal de conexión USB del equipo. Si desea obtener información detallada, consulte el manual del equipo.
- Cuando verifique la conexión entre el sistema y el ordenador, compruebe el administrador de dispositivos del ordenador. Si desea obtener más información, consulte el manual del ordenador.
- Si el equipo dispone de dos o más terminales de conexión USB, es posible que el sistema no pueda utilizarse con otros dispositivos USB al mismo tiempo, ya que podría producirse una emisión de baja intensidad, interrupciones en el sonido o ruidos. Si desea obtener más información, consulte el manual del equipo.
- No se garantiza el funcionamiento con sistemas operativos Windows instalados en equipos de instalación propia, sistemas operativos Windows actualizados o sistemas operativos no compatibles.
- Sony recomienda la utilización de ordenadores con una CPU Pentium II a 300 MHz o superior, o Celeron a una velocidad de 500 MHz o superior. Si la CPU no cumple los requisitos mínimos o si se ejecutan otras aplicaciones simultáneamente, la lectura de los datos podría saltarse, lo que provocaría ruido o sonido intermitente.
- Si el sonido de los altavoces se emite distorsionado o con excesivo ruido, ajuste el volumen del ordenador mediante el panel de control.
- Si el sonido de alarma del ordenador y el de reproducción no están equilibrados, ajústelos siguiendo las instrucciones del manual del ordenador.
- Sony recomienda realizar una copia de seguridad de los datos importantes antes de instalar los controladores de dispositivo USB. Sony no se responsabilizará en caso de imposibilidad de uso del ordenador o de pérdida de datos debido a un funcionamiento incorrecto o a una avería.
- Cuando utilice la función de reanudación tras suspensión (suspensión del sistema, hibernación del mismo, etc.), es posible que los altavoces del sistema no funcionen correctamente. En tal caso, reinicie la aplicación o el ordenador.
- No desconecte ni vuelva a conectar el cable USB mientras reproduce música con un reproductor de CD o un reproductor multimedia. Si lo hace, es posible que se produzcan fallos de funcionamiento o incluso una avería.
- No desconecte ni vuelva a conectar el cable USB del sistema mientras reproduce música porque podría producirse mal funcionamiento. Sin embargo, si ha desconectado y ha vuelto a conectar el cable USB, reinicie el sistema tras cerrar todas las aplicaciones de software abiertas.

- Si la clavija USB está inclinada o si se conecta lentamente entre el sistema y el terminal de conexión USB, pueden producirse errores en el funcionamiento. Conecte la clavija debidamente y con rapidez. Si el equipo no funciona correctamente, vuelva a conectarlo al sistema o reinicielo.
- Si empieza enseguida a reproducir música después de haber conectado el sistema al ordenador, puede producirse mal funcionamiento. Inicie el programa de reproducción 5 segundos después de haber conectado el sistema.
- Cuando desee reproducir un disco CD de música, asegúrese de hacer clic para marcar la casilla de verificación “Enable digital CD audio for this CD-ROM device”. De lo contrario, no podrá reproducir discos CD de música. Para ver los detalles para marcar la casilla de verificación, consulte el manual de su ordenador.
- Mientras emplee el sistema con Windows 2000, es posible que aumente el volumen del ordenador cuando reanude la operación desde el modo de suspensión. En este caso, ajuste el volumen del ordenador.

### Solución de problemas

**El sonido está distorsionado.**

- La señal de entrada es demasiado alta.
  - Baje el volumen del ordenador.
- En función del software que utilice, puede ajustar el equalizador para que la curva se haga más plana.

**El sonido es bajo.**

El control de volumen del ordenador o el volumen del programa musical que se reproduce tienen un nivel bajo.

- Ajuste el control de volumen del ordenador.

**No se emite ningún sonido.**

- El cable USB no está conectado correctamente.
  - Conéctelo adecuadamente.
- El sistema se ha conectado mientras se reproducía el software de música.
  - Detenga la reproducción del software de música y empiece de nuevo.
- El dispositivo de reproducción de audio del ordenador no se ha ajustado correctamente.
  - Windows XP: Seleccione “Audio,” en [Sounds and Audio Devices Properties] y, a continuación, seleccione “C-Media USB Headphone Set” como [Default device] en el menú Reproducción de sonido.
  - Windows 2000: Seleccione “Audio” en [Sounds and Multimedia Properties] y, a continuación, seleccione “USB Audio Device” como [Preferred device] en el menú Reproducción de sonido.
  - Windows Me: Seleccione “Audio” en [Sounds and Multimedia Properties] y, a continuación, seleccione “USB Audio Device” como [Preferred device] en el menú Reproducción de sonido.
  - Windows 98SE: Seleccione “Audio” en [Multimedia Properties] y, a continuación, seleccione “USB Audio Device” como [Preferred device] en el menú Reproducción.
- El control de volumen del ordenador o el software de reproducción de música se ha ajustado en “Mute”.
  - Quite la función de silenciamiento.
- No se reconoce el puerto USB.
  - Tras salir del software de reproducción, reinicielo. Si el problema persiste, reinicie el ordenador.
- USB no está disponible.
  - Compruebe el administrador de dispositivos del ordenador.

**Hay ruido o no se emite sonido.**

- La CPU del ordenador está sobrecargada.
  - Cierre las demás aplicaciones.
- Se está utilizando el sistema mediante un concentrador USB.
  - Conecte el sistema directamente al terminal de conexión USB del equipo.

**Los altavoces no emiten ningún sonido al utilizar el micrófono incorporado o externo del ordenador conectado.**

- El dispositivo de grabación de audio del ordenador no se ha ajustado correctamente.
  - Cambie el dispositivo de grabación de audio del ordenador del “USB Audio Device” al dispositivo de audio o al micrófono externo instalado.

Para obtener más información acerca del funcionamiento del ordenador, consulte el manual de instrucciones suministrado con el mismo.

El apartado “Solución de problemas” no puede resolver todas las averías. En caso de avería que no pueda resolverse mediante este apartado, póngase en contacto con el distribuidor Sony más cercano.

## Especificaciones

<b>Sección de altavoces</b>	
Tipo de caja acústica	Rango completo, reflector de graves, magnéticamente protegidos
Sistema de altavoces	39 mm
Impedancia	4 Ω
Potencia de entrada nominal	0,25 W
Potencia de entrada máxima	0,3 W
Potencia máxima de salida	0,25 W + 0,25 W
Entrada	(10 <span> </span> % THD, 1 kHz, 4 Ω) cable USB, Clavija tipo A, Aprox. 30 cm
<b>Sistema requerido</b>	
Ordenador compatible	IBM PC/AT o equipos compatibles con puerto USB
Sistemas operativos compatibles	Windows XP Professional, Windows XP Home Edition, Windows 2000 Professional, Windows Millennium Edition, Windows 98 Second Edition
CPU recomendada	Pentium II a 300 MHz o superior /Celeron a 500 MHz o superior
<b>Generales</b>	
Fuente de alimentación	Compatible con alimentación mediante bus USB (5 V, 500 mA o menos)
Dimensiones (an x al x prf)	Aprox. 170 x 60 x 24 mm
Peso	Aprox. 190 g
Accesorio suministrado	Manual de instrucciones (1)

El diseño y las especificaciones están sujetos a cambios sin previo aviso.

\* Compatible con el sistema operativo inglés instalado por el fabricante. No se garantiza el funcionamiento adecuado en todos los equipos que tienen instalados los sistemas indicados anteriormente.